

Boos - Herrel

**Lincoln Zephyr & Continental Parts
1936 - 1948**



**215-965-8296 9895 Hidden Hollow Trail
215-310-9869 Fax Broadview Heights OH 44147
boos.herrel@gmail.com**

www.boos-herrel.com

2022-B

Boos-Herrel **Lincoln Zephyr & Continental Parts 1936-1948**

Boos-Herrel Lincoln Zephyr & Continental Parts
1936-1948
9895 Hidden Hollow Trail
Broadview Heights OH 44147
215-965-8296 Fax 215-310-9869
boos.herrel@gmail.com
www.boos-herrel.com
www.LincolnHV12.com

Boos-Herrel seeks to provide the right parts, in the right condition at the right price in an effort to continue to serve the Lincoln H-V12 enthusiast. As a convenience to our customers, we accept major credit cards and PayPal. This catalog is organized in the same order as Lincoln's parts books. The first section is Chassis, followed by Body. Plastic trim is separated out. We hope this proves to be a useful resource. Please bear in mind **this is not a complete listing** of what is currently available. **There are many more parts, pieces, components in stock** that could easily quadruple the size of this catalogue. This inventory is probably the largest ever cataloged to this extent. Please take note of both the text listings and diagrams for your needs. Please call with your needs, we are here to help. It would be near impossible to complete a catalog of all the items, vehicles, years, condition etc. to cover the entire inventory available. If you need it, we probably have it or can refer you where to find it!

Price –

Prices are a matter of several factors, and in an effort to be fair and reasonable to buyer and seller, the following are only some items taken into consideration:

- **Intrinsic value** – the value of the part in and of itself.
- **Cost to make/refurbish/plate** – many parts listed are ready for installation.
- **Time value** – the convenience of acquiring the part immediately vs. hunting Hershey.
- **Availability/Rarity** – some parts are just hard to come by.
- **Cost to carry & turnover** – what has been invested, and how fast it moves off the shelf.

- **Overhead** – expenses incurred to run the business.
- **Cost to replace** – either based on many of the above factors or the cost to have a part made by a foundry or machinist, many times requiring a minimum number of pieces that would probably never be consumed by the hobby.
- **Competition** – there are other dealers we have to be mindful of.
- **What the market will bear** – If items are priced too high, folks will not be restoring these cars which is not good for anybody.

Please inquire with your needs and we'll be happy to get you a price. Prices subject to change upwards and downwards based on many of the factors above.

Ordering Information:

You may place an order via:

- Phone 877-354-0807 / 215-965-8296
- Fax 215-310-9869
- e-mail [**boos.herrel@gmail.com**](mailto:boos.herrel@gmail.com)

We accept all major credit cards and PayPal

Orders are generally shipped within 3 days. Shipping is done usually USPS priority mail or UPS Ground. You may request expedited shipping for additional charges. If you have a part number as indicated in the diagrams, that would be helpful to avoid errors. We are generally available Mon-Sat to speak with during business hours. If we're not available, you may leave a message for a prompt call back.

International orders subject to additional \$35 currency conversion fee

Packing, shipping, handling & insurance charges will be added based on actual costs incurred.

While every reasonable effort is made to ensure correct and functional parts are shipped, from time to time errors are encountered. Also, rebuilt items may fail due to the age of component parts and normal wear on rebuildable cores used in the process. Water pumps may leak, shock absorbers may not function, coils may fail etc. In order to supply parts **internationally**, shipping charges for any returns and replacements are at the original purchaser's expense. Such cost otherwise would make it uneconomical to supply the market accordingly.

This list is subject to price, condition, errors, omissions and availability changes. Parts are sold as is with no warranty expressed or implied. In many cases parts are used, worn and have been subjected to time and deterioration. They may no longer perform to the standards as originally designed or intended. Reproduced parts may not be manufactured to original standards or specifications or from original materials. Parts may be returned if incorrect or not as described in as sold condition within 30 days of invoice/receipt for a full refund via check, less shipping. Boos-Herrel LLC will not be liable for personal or property damage, direct or indirect, caused by use or misuse of any product or service sold or rendered. The purchaser/user shall assume all responsibility and risk connected herewith.

Items listed with an * have an additional core charge or may require your core in advance.

Table of Contents

Model Identification	4
Wheels, hubs, drums	5
Brakes	6
Front Axle	8
Steering	8
Strut Rod	10
Rear Axle	10
Frame & Front License Support	11
Battery Support	12
Exhaust Pipes & Muffler	12
Front Spring	13
Stabilator	13
Rear Spring	14
Engine	14
Mud Pans	17
Transmission OD	17
Transmission 3 spd	18
Gear Shift	19
Clutch	19
Radiator	20
Water Pump	21
Fuel Tank	22
Exhaust Manifold	22
Carburetor	23
Air Cleaner	23
Choke & Throttle Controls & Accelerator	24
Generator	24
Cutout & Voltage Regulator	25
Battery	25
Ammeter & Temp Indicator	25
Starter	25
Circuit Breaker	25

Light Switches	25
Instrument Panel & Moldings	26
Ignition, Coil, Distributor & Condenser	26
Headlamp	27
Parking Lamp	28
Directional Signal Switch	28
Rear Lamps	28
Rear License Lamp	30
Rear License Bracket	32
Rear Deck Lamp	32
Instrument Lamp	32
Dome Lamp	32
Floor Lamp	32
Horns	32
Clock	32
Front Fender	32
Rear Fender Cover Plate	33
Rear Fender	33
Hood	33
Tools	35
Speedometer	35
Windshield Wiper	35
Rear View Mirror	36
Bumpers	37
Shock Absorber	39
Fog Lamp	39
Hot Air Heater	39
Hot Water heater	40
Radio	40
Deck (rear) and Luggage Compartment	42
Doors	42
Floor	44
Front	45
Quarter	46
Roof	46
Seat	46
Top	46
Visor	48
Window (back)	48
Windshield	48
Interior Plastic	48
Wiring	51
Literature	52
Locks & Keys	52
Decals	52

MODEL IDENTIFICATION

LINCOLN-ZEPHYR and LINCOLN-CONTINENTAL

901 Series.....1936	96H Series.....1939
HB Series.....1937	06H Series.....1940
86H Series.....1938	16H Series.....1941
26H Series.....1942	

LINCOLN and LINCOLN-CONTINENTAL

66H Series.....1946	76H Series.....1947
876H Series.....1948	

LINCOLN-CUSTOM

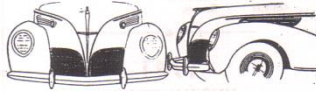
168H Series.....1941	268H Series.....1942
----------------------	----------------------

1936



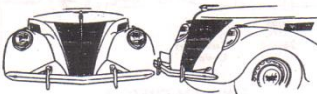
BODY TYPE	NAME
902	Four Door Sedan
902	Limousine
903	Two Door Sedan

1938



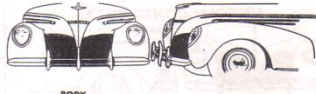
BODY TYPE	NAME
86H700	Coupe Sedan
86H720	Coupe
86H730	Sedan
86H730B	"De Luxe" Sedan
86H737	Limousine
86H740	Convertible Sedan
86H760	Convertible Coupe

1937



BODY TYPE	NAME
HB700	Two Door Sedan
HB720	Coupe
HB730	Four Door Sedan
HB737	Limousine

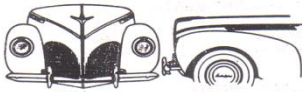
1939



BODY TYPE	NAME
96H22	Limousine
96H70	Coupe Sedan
96H72	Coupe
96H73	Sedan
96H74	Convertible Sedan
96H76	Convertible Coupe

1940

LINCOLN-ZEPHYR



BODY TYPE	NAME
06H22	Limousine
06H72A	Three Passenger Coupe
06H72B	Coupe with Auxiliary Seats
06H73	Sedan
06H76	Convertible Coupe
06H77	Club Coupe

LINCOLN-CONTINENTAL

BODY TYPE	NAME
06H56	Cabriolet
06H57	Coupe

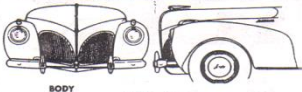
1941

LINCOLN-ZEPHYR



BODY TYPE	NAME
16H72A	Three Passenger Coupe
16H72B	Coupe with Auxiliary Seats
16H73	Sedan
16H76	Convertible Coupe
16H77	Club Coupe

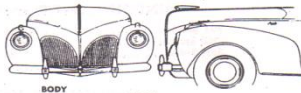
LINCOLN-CONTINENTAL



BODY TYPE	NAME
16H56	Cabriolet
16H57	Coupe

1941—Continued

LINCOLN-CUSTOM



BODY TYPE	NAME
168H31	Sedan
168H32	Limousine

1942

LINCOLN-ZEPHYR



BODY TYPE	NAME
26H72A	Three Passenger Coupe
26H72B	Coupe with Auxiliary Seats
26H73	Sedan
26H76	Convertible Coupe
26H77	Club Coupe

LINCOLN-CONTINENTAL



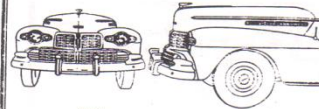
BODY TYPE	NAME
26H56	Cabriolet
26H57	Coupe

LINCOLN-CUSTOM

BODY TYPE	NAME
268H31	Sedan
268H32	Limousine

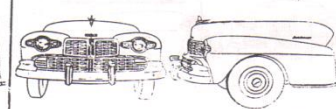
1946

LINCOLN



BODY TYPE	NAME
66H73	Sedan
66H76	Convertible Coupe
66H77	Club Coupe

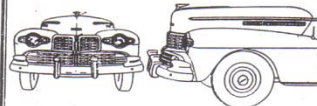
LINCOLN-CONTINENTAL



BODY TYPE	NAME
66H56	Cabriolet
66H57	Coupe

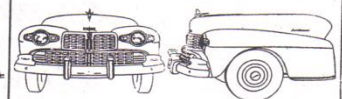
1947

LINCOLN



BODY TYPE	NAME
76H73	Sedan
76H76	Convertible Coupe
76H77	Club Coupe

LINCOLN-CONTINENTAL



BODY TYPE	NAME
76H56	Cabriolet
76H57	Coupe

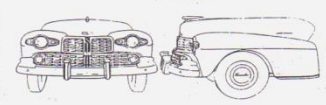
1948

LINCOLN



BODY TYPE	NAME
876H73	Sedan
876H76	Convertible Coupe
876H77	Club Coupe

LINCOLN-CONTINENTAL



BODY TYPE	NAME
876H56	Cabriolet
876H57	Coupe

Lincoln

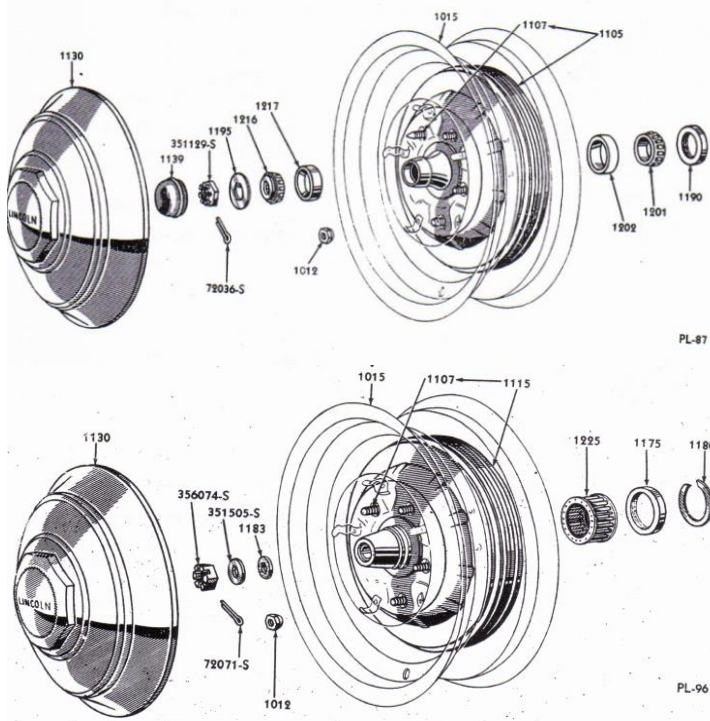


CHASSIS PARTS

Capacity

Fuel 19.5 gal
 Cooling system 24.5 qts
 Crankcase (less filter) 5 qts
 Transmission 2 3/4 pts
 Transmission w/OD 3 3/4 pts
 Differential 4 pts

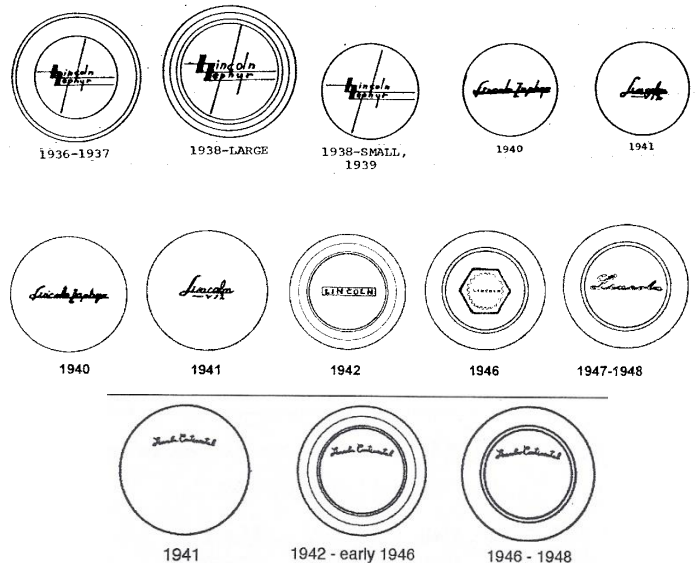
Wheels, Hubs, Drums



Part #	Year	Description	Price
1012	36-48	Lug nut	\$3.95
1105	36-48	Hub & drum	Inquire
1107	38-48	Stud	\$7.50
1115	38-48	Rear drum	\$225.00
1130	36-41	Hub cap restored	\$175.00
1130	42-48	Hub cap restored less medallion	\$125.00
	36-48	Beauty trim ring	\$39.95
1139	36-48	Dust cap	\$8.75
1141	42	Hub cap medallion	\$100.00
1141	47-48	Hub cap script	\$76.50
1175	36-48	Rear wheel grease seal	\$15.00

1180	36-48	Snap ring	\$5.15
1183	36-48	Fiber washer/gasket	\$3.65
1190	36-48	Front wheel grease seal	\$15.00
1195	36-48	Washer	\$3.95
351129/74	36-48	Spindle nut	\$9.95
1201	36-48	Inner front bearing	\$29.95
1202	36-48	Bearing race	\$22.75
1216	36-48	Outer front bearing	\$30.95
1217	36-48	Bearing race	\$22.75
1225	36-48	Roller bearing	\$54.95
AXRS	36-48	Axle bearing repair sleeve	\$69.95
1395	40-41	Spare tire cover LC	Inquire
1395	42-48	Spare tire cover LC	\$399.00
1448	40-48	Spare wheel carrier LC	\$125.00
	37-39	Spare tire hinged carrier	\$185.00
	40-48	LC Spare tire cover rubber seal & bumper set	\$46.95
	36-39	Spare tire carrier bumpers	\$16.95
18312	40-48	Spare tire lock	\$75.00
	40-48	Spare tire hold down LZ	\$65.00
	36-48	Tire valve stem cap set	\$8.00
	36-48	Rear Hub Puller	\$225.00

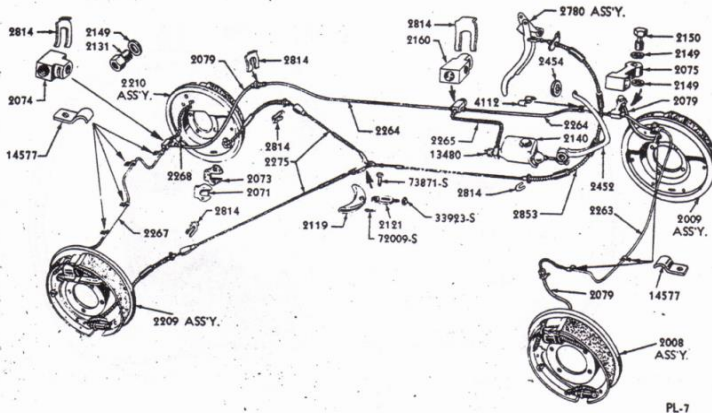
The Continental spare tire cover for 1940-41 using the 16" wheel can be differentiated from the 1942-48 as follows: 14 1/4" diameter center hole vs. 13 1/2". A piece of string across the face plate will measure 30" vs. 28".



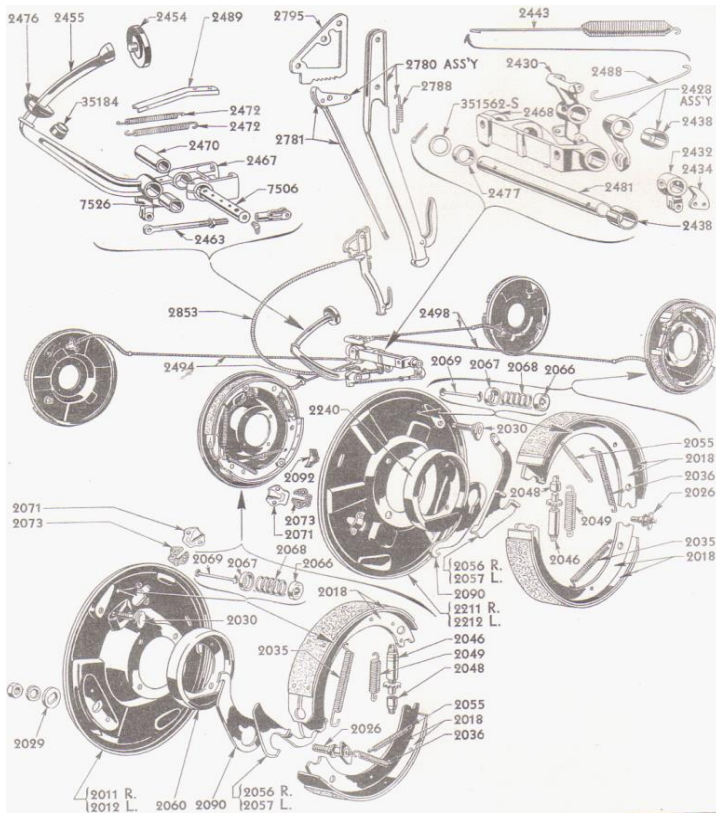
Tire size
 1936-1941 7.00" X 16"
 1942-1948 7.00" X 15"

Wheel Size
 16" X 4 (ex. '41=5")
 15" X 5

Brakes



BRAKE SYSTEM (HYDRAULIC)



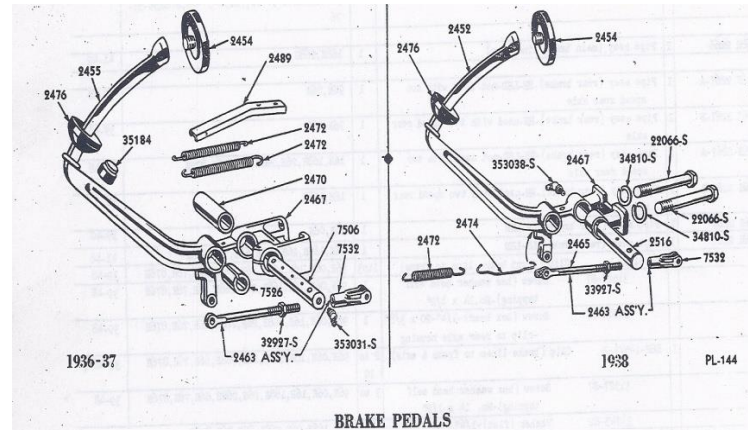
Brake cable 1939-48

- Rear is the same all models
- Front '39, '40-'41, '42-'48
3 different units

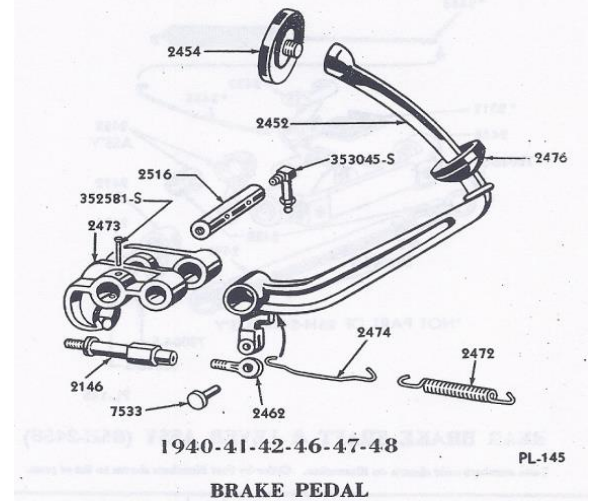
<i>Part #</i>	<i>Year</i>	<i>Description</i>	<i>Price</i>
2011/12	36-38	Backing plate	\$95.00
18377	36-48	Brake shoe - relined	*\$22.95
2027	39-48	Anchor pin	\$28.00

2028	39-48	Anchor plate	\$16.95
KitB	39-48	Spring/hardware kit per axle	\$67.95
2060	41-48	Grease baffle	\$45.00
2061/2	39-48	Brake cylinder front	\$63.95
KitB1	39-48	Wheel cyl rebuild kit F or R	\$10.50
2046	39-48	Brake adjuster screw assy	\$20.95
2056/7	36-38	Cam	\$45.00
2071	39-48	Rear brake cable to plate cover	\$18.50
2073	39-48	Felt pad cable to plate pr	\$15.00
2074	39-48	Rear brake line tee	\$25.95
2075	39-48	Brake line connector front	\$78.00
2076	39-48	Master cylinder fitting	\$20.95
2077	39-48	Bolt – master cylinder outlet	\$10.50
2079	39-48	Brake hose	\$27.00
2090	36-38	Lever – brake cam	\$45.00
2092	36-48	Brake adjusting hole cover	\$4.95
2108/9	39-48	Rear brake shoe separator/strut	\$28.95
2119	39-48	Hand brake equalizer	\$22.50
2121	39-48	Brake cable clevis	\$21.00
2131	39-48	Rear brake cylinder fitting	\$21.95
2140	39-48	Master cylinder	\$139.95
2143	39-48	Push rod master cylinder link	\$35.00
KitM	39-48	Master cyl rebuild kit	\$28.95
2149	39-48	Copper washer	\$1.25
2150	39-48	Brake line front tee bolt	\$12.95
2151	39-48	Washer	\$1.25
2160	39-48	Main brake line connector	\$24.95
2162	39-48	Master cylinder cap	\$16.95
2167	39-48	Master cylinder cap gasket	\$1.95
2180	39-48	Master cylinder boot	\$8.95
2261/62	39-48	Rear brake cylinder	\$59.95
14577	39-48	Brake line clip to frame/axle	\$5.75
2275	39-48	Rear brake cable	\$198.95
2452	36-48	Brake pedal arm	\$85.00
2454	36-48	Brake pedal	\$42.00
2472	40-48	Pedal retracting spring	\$27.00
2473	40-48	Bracket	\$65.75

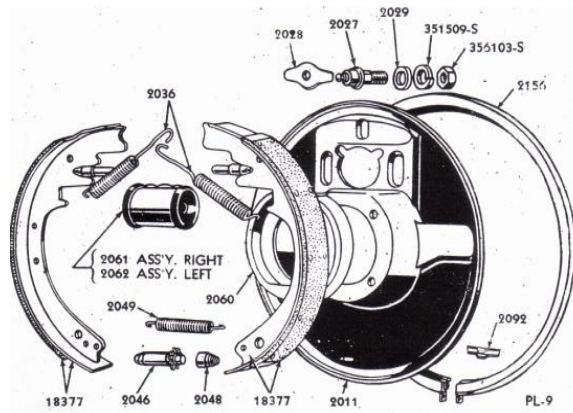
2474	40-48	Pedal retracting spring link	\$5.65
2476	36-48	Brake & clutch floorboard bumpers	\$23.75
2814	39-48	Brake cable clip	\$3.50
5068	40-48	Rear brake cable frame brkt	\$48.00
2597	39-48	Brake cable boot	\$6.95
2780	36-48	Hand brake lever assy	\$85.00
2853	39-48	Front brake cable	\$225.00
13480	39-48	Brake light pressure SW	\$20.50



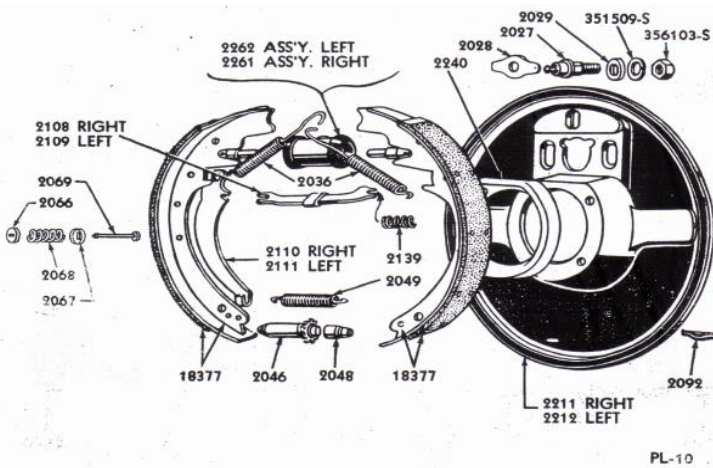
BRAKE PEDALS



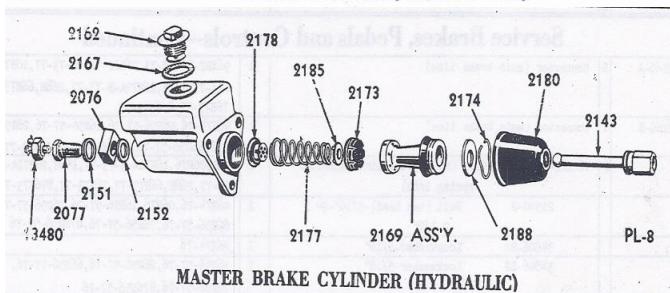
BRAKE PEDAL



FRONT BRAKE (HYDRAULIC)



REAR BRAKE (HYDRAULIC)



MASTER BRAKE CYLINDER (HYDRAULIC)

ADJUSTING FRONT WHEEL BEARINGS

If there is excessive play in the bearing or if the bearing is too tight it can be adjusted as follows:

Remove the front wheel.

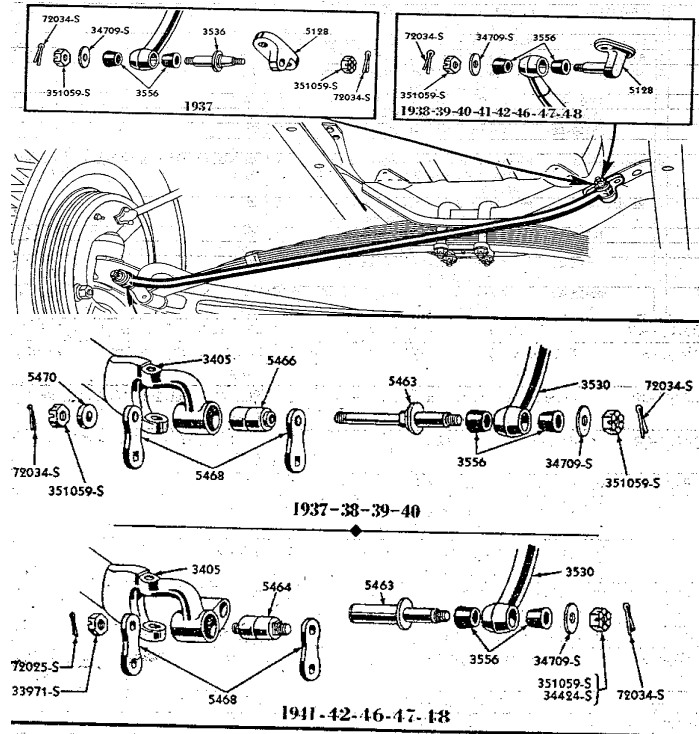
The grease cap may now be removed by turning in a counter-clockwise direction. By removing the cotter key the front wheel bearing nut, bearings and hub may be removed or adjusted.

When reassembling or adjusting, the adjusting nut should be run up tight (don't use a wrench—the handle of which is more than 12 inches long), and then turned back approximately 1/4 turn and the cotter pin replaced. On the car both the inner and outer hub caps should again be installed. Cars or trucks should never be operated with the front hub caps missing.

Part#	Year	Description	Price
3507	36-38	Clamp	\$30.00
3509	36-48	Tube	\$145.00
3510	40-48	Shift shaft boot	\$24.50
3512	36-39	Column grommet	\$43.95
3512	40-48	Grommet column: dash	\$68.95
3513	36-48	Grommet/seal 1” sponge	\$34.50
3517	40-48	Bushing/bearing	\$20.95
3518	41-48	Sleeve	\$19.95
3520	41-48	Spring	\$16.95
3530	Inquire	Strut rod	Inquire
3548	38-48	Housing	Inquire
3552	36-48	Bearing cup upper	\$30.95
3553	36-48	Bearing cup lower	\$30.95
3556	37-48	Strut rod bushing set (4)	\$26.50
3571	36-48	Bearing steering gear worm	\$20.95
3575	37-48	Shaft and roller	Inquire
3576	37-48	Bushing	\$20.50
3579	36-48	Thrust washer	\$5.25
3581	36-48	Gasket set	\$23.50
3590	36-48	Steering arm	\$48.00
3591	36-48	Oil Seal	\$12.50
33947	36-48	Nut – steering wheel	\$6.95
3609	36-48	Keyway	\$5.75
3625	38-39	Horn button sw. & wire	\$42.95
3625	41	Horn button base	\$79.95
3625	41	Horn button cover plate	\$75.00
3626	42-48	Spring	\$17.95
3627	36-39	Horn button base	\$79.95
3627	40	Horn button	\$79.95
3630	40-41	Horn button collar	\$79.95
3630/45	42-48	Horn button contact plate	\$55.00
KITH	40-41	Horn button internal contact kit – 4 pcs	\$98.00
3632	41	Cushion – horn ring 3 pcs	\$15.75
3634	41	Horn ring	Inquire
3634	42-48	Horn ring	Inquire
3637	40-41	Horn button retainer spring	\$32.95

3645	37-39	Horn button cover plate	Inquire
3649	42	Horn button emblem	\$75.00
3649	46-48	Horn button maroon	\$50.00
3649	46	Horn button black/gold	\$100.00
3672	42-48	Horn button rubber pad	\$18.95
3675	41-48	Lock bracket assy	\$150.00
3677	41	Ign. Lock cylinder	\$125.00
3677	42-48	LZ ign. Lock cylinder	\$125.00
3678	42-48	Steering column bracket	\$45.00
3680	40-48	Ign. Electrical switch	\$49.95
	40-48	Firewall steering cover plate	\$34.00
3695	40	Ign. pull knob	\$16.95
3695	42-48	LC Ign. pull	\$55.00
3701	42-48	Ign. Lock plastic sleeve	\$20.00
3704	36-40	Ignition contact plate	\$17.50
KitSW	36-40	Ign sw 3712/09/04	\$65.00
3731	36-40	Break off bolt	\$6.75
3735	38-48	Ign. starter button insert	\$12.00
3735	38-48	Starter button replacement	\$19.75
KEYB	36-48	HURD Key blank	\$16.95
14308	42-48	Horn spring	\$15.75

Strut Rod



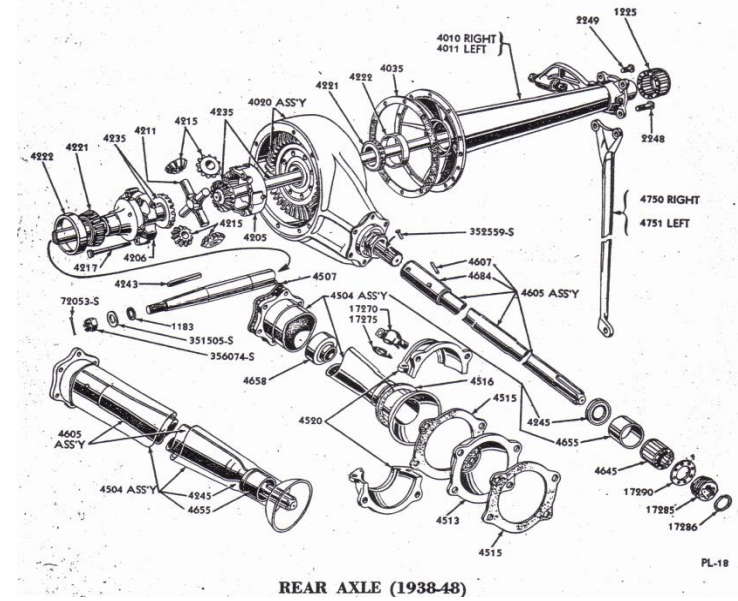
Part#	Year	Description	Price
3530	36-48	Strut rod	Inquire
3556	36-48	Strut rod bushings (4)	\$26.50

Rear Axle

1936-37 Ford type, center drive

1938-1948 Zephyr type, hypoid drive

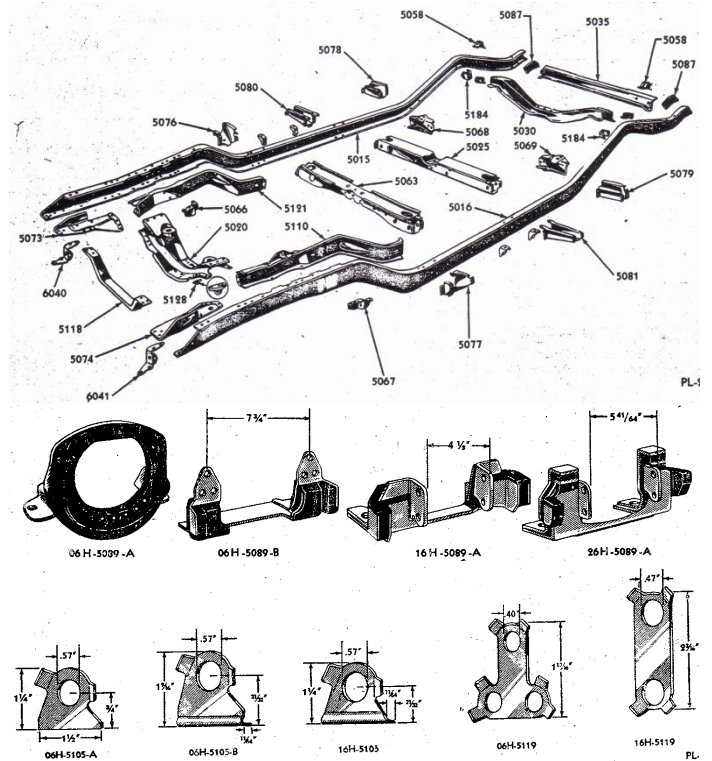
Removal: Slide seat back, remove transmission floor cover. Disconnect speedometer cable, Remove rear spring clips, disconnect torque tube at universal joint, raise rear of car. Disconnect brake lines and cable, disconnect shock links and slide rear of axle from rear of car



Part#	Year	Description	Price
1175	36-48	Outer seal	\$15.00
1180	36-48	Snap ring	\$5.15
1183	36-48	Fiber washer	\$3.65
1225	38-48	Roller bearing	\$54.95
4010	41-48	RH axle housing	\$195.00
4010	40-41	RH two speed housing	\$325.00
4011	41-48	LH axle housing	\$195.00
4020	38-48	Pinion bearing set 4pc	\$265.95
	38-48	Pinion seal	\$15.00
4030	36-48	Axle fill plug	\$3.95
4035	38-48	Gasket set	\$37.25
4035C	38-41	Gasket set w/Columbia	\$56.00
4205	36-48	Gear case inner	\$75.00
4206	36-48	Gear case outer	\$75.00
4211	36-48	Spider	\$45.00
4215	40-48	Pinion	\$40.00
4217	38-48	Differential bolt	\$16.00
4221	36-48	Cone and roller	\$49.95
4222	36-48	Bearing race	\$38.95
4235	36-48	Axle shaft	\$149.95

4243	36-48	Axle key	\$5.95
4245	36-48	Inner axle/shaft seal	\$12.95
4505	38-48	Torque tube assy	\$345.00
4505	42-48	Torque tube w/OD	\$395.00
4507	36-48	Gasket – torque:diff.	\$6.95
4513	36-48	U joint inner cap	\$48.00
4515	36-48	U joint gasket set	\$19.75
4520	38-48	U joint outer housing	\$58.00
4605	38-48	Drive shaft	\$295.00
4607	36-48	Drive shaft lock pin	\$3.95
4616	36-37	Bearing cup	\$87.95
4621	36-37	Cone and roller	\$46.95
4625	36-37	Bearing – pinion pilot	\$58.95
4645	36-48	Drive shaft bearing	\$27.95
4655	36	Sleeve	\$19.95
4655	38-48	Sleeve	\$39.50
4658	38-48	Drive shaft center bearing	\$245.00
4684	38-48	Coupling	\$125.00
4750/1	Inquire	Rear radius rod L&R	Inquire
5783	36-48	Rear axle frame bumper	\$65.00
17270	36-48	Speedometer gear/cap	\$45.00
17275	36-48	Gasket speedo cap	\$2.85
356074	36-48	Rear axle nut	\$9.95
AXRS	38-48	Axle housing repair sleeve	\$69.95

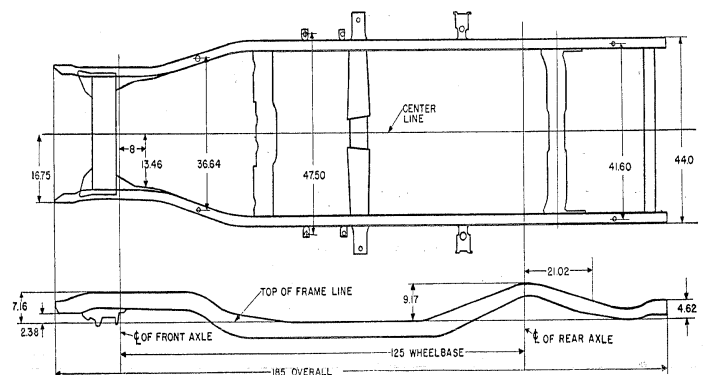
Frame & Front License Support



WHEEL ALIGNMENT SPECIFICATIONS

TOE-IN (Inches)	CASTER (Degrees)	CAMBER (Degrees)
1946-48 1/8 to 3/8	1946-48 +3 to +5	1946-48 + 3/4 to + 3/4
1949-55 3/8 to 1/2	1949-51 -1 to + 1/2	1949-55 0 to + 3/4
	1952-55 -1 1/2 to 0	

FRAME DIAGRAMS

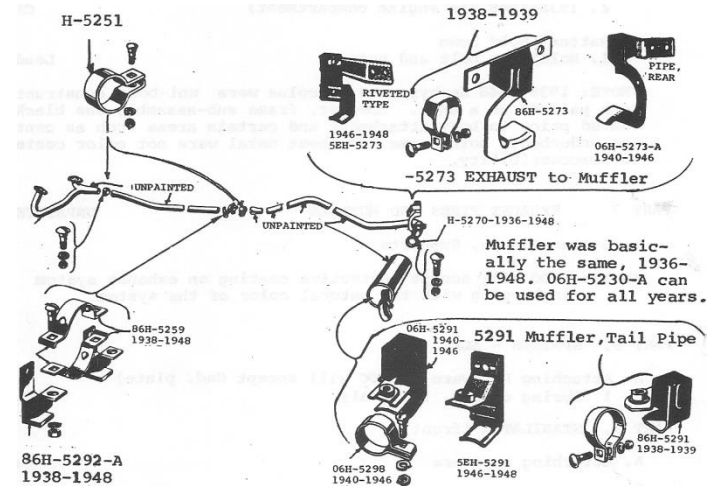


FRAME DIAGRAM—1946-48

Part#	Year	Description	Price
5034	36-41	Front license bracket	\$130.00
5044	39-48	Frame insulator ea.	*\$135.00

5068/9	40-48	Bracket rear brake conduit	\$48.00
5076/7	40-48	LC Front outrigger	\$59.00
5078/9	40-48	LC Rear outrigger	\$82.00
	40-48	LC Rear top well support	\$50.00
5089	36-37	Rear motor/trans mount	*\$435.95
5089	38-40	Rear motor/trans mount	*\$445.95
5089	41-48	Rear motor/trans mount w/OD	*\$369.25
5089	41-48	Rear motor/trans mount w/o OD	*\$369.25
5089	42	Rear motor/trans mount	*\$395.25
5099	38-40	Mount backing plate	\$55.00
5105	40-48	Mount bolt locking plate	\$15.00
5119	40-48	Mount bolt locking plate	\$15.00
5128	38-48	Strut rod bracket	\$58.00
	40-48	Door pillar aluminum floor post (foot) L/R F or R ea.	\$145.00

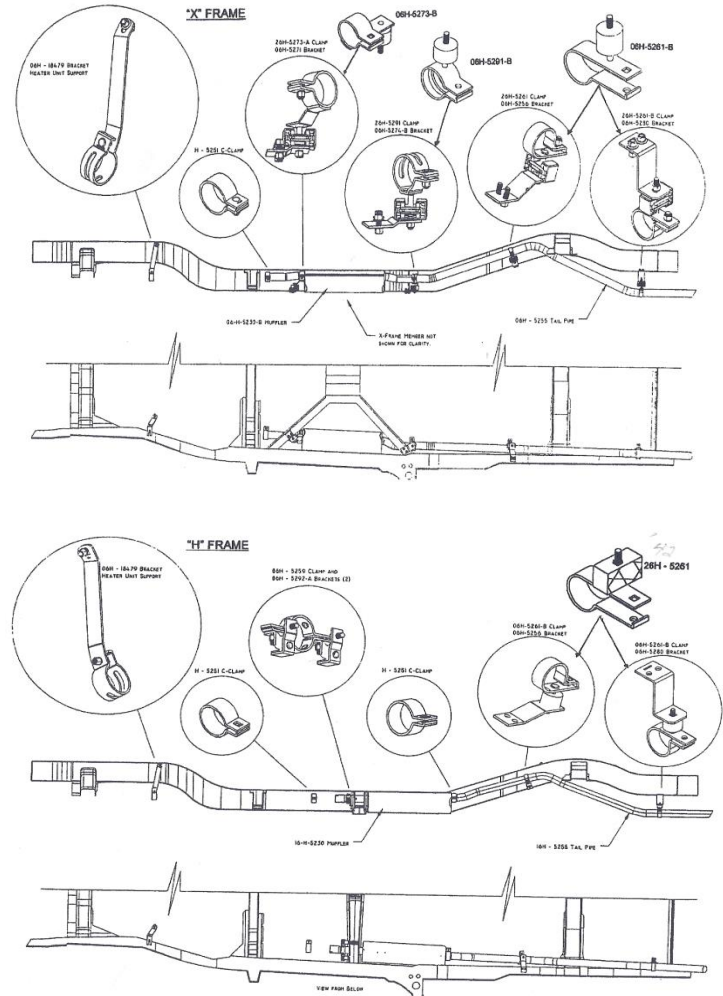
Exhaust pipes and Muffler



Continental

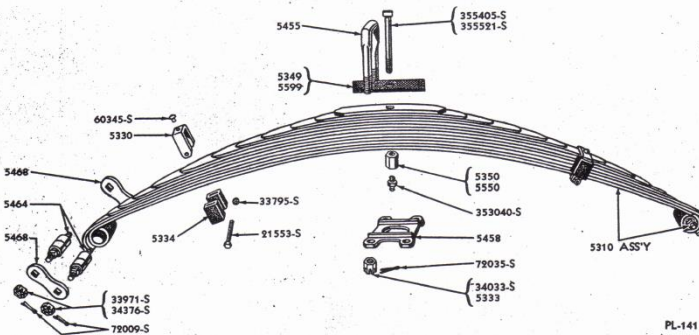
Battery Support

Part#	Year	Description	Price
5154	40-48	LC Battery tray	\$198.00
KitB	40-48	LC Battery tray support 2pc	\$57.00
5155	40-48	Battery hold down long bolt	\$18.95
700737	40-48	Battery hold down short bolt at firewall	\$18.95
5165	36-49	Battery hold down	\$25.95



<i>Part#</i>	<i>Year</i>	<i>Description</i>	<i>Price</i>
5222	36-48	Manifold gasket set	\$28.95
352693	36-48	Manifold to pipe studs set	\$8.95
36-48		Manifold brass nut set	\$5.95
5251	36-48	Clamp	\$45.00
5256	40-48	Bracket	\$26.50
5259	38-48	Clamp 2 pc	\$60.00
5261	40-48	Hanger	\$89.50
5270	36-48	Clamp	\$47.50
5271	40-48	Bracket	\$26.50
5273	38-46	Hanger	\$78.95
5273	40-48	LC Hanger	\$89.50
5273	46-48	Hanger	\$78.95
5274	40-48	Bracket	\$26.50
5280	40-48	Bracket	\$26.50
5291	38-48	Hanger	\$47.50
5291	40-48	LC Hanger	\$89.95
5292	38-48	Insulator bracket ea.	\$45.95
5298	36-48	Clamp	\$47.50
18479	40-41	Hot air support bracket	\$60.00
EXH	36-48	Exhaust pipes	Inquire
MUF	36-48	LZ Muffler requires modifications	\$115.00
Cross	36-48	Cross over pipe	\$125.00

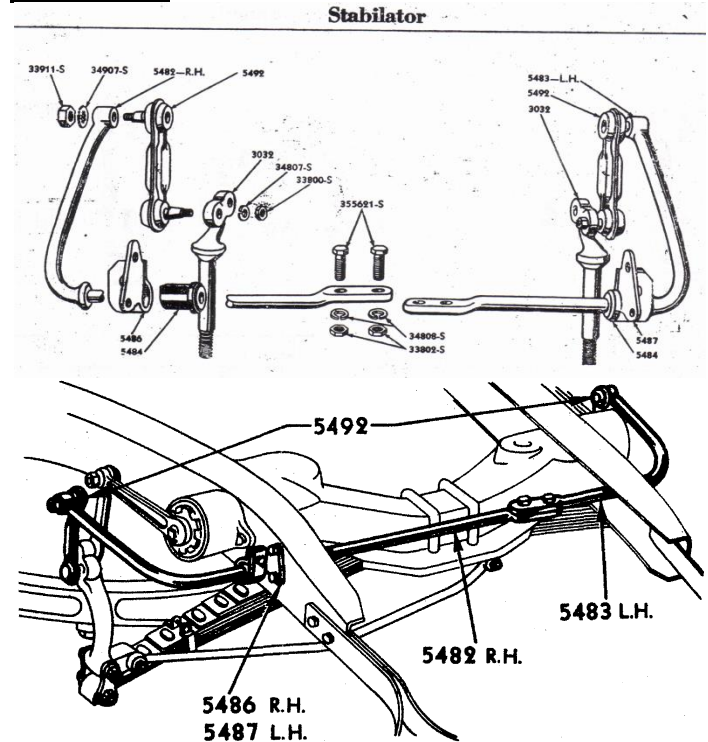
Front Spring



<i>Part#</i>	<i>Year</i>	<i>Description</i>	<i>Price</i>
5306/10	36-38	Front spring assy	Inquire
5330	36-48	Spring clamp	\$20.00
5333	36-48	Nut	\$10.00
5334	36-48	Rubber sleeve set 4	\$20.00
5349	36-48	Pad – anti squeak	\$3.95

5350	36-40	Center bolt nut	\$10.00
5455	36-48	U bolt	\$37.00
5458	36-48	Bar – center mount	\$47.00
5463	37-48	Strut rod stud	\$45.00
5464	36-48	Spring shackle stud	\$38.95
5468	37-48	Spring shackle bar	\$20.00
5724	42-48	Spring clamp	\$20.00

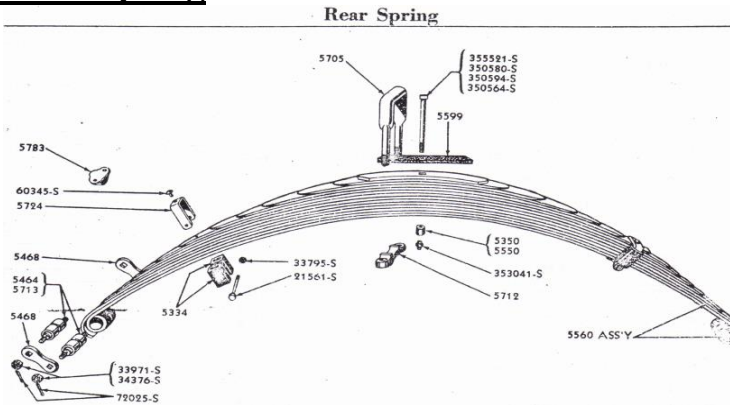
Stabilator



TORSION TYPE STABILIZER, 1940-1 LINCOLN-ZEPHYR, 1941 LINCOLN

<i>Part#</i>	<i>Year</i>	<i>Description</i>	<i>Price</i>
5482/3	40-48	Stabilator shaft	\$295.00
5484	40-48	Bushing/pr	\$45.00
5486/7	40-48	Bracket	\$46.50
5492	40-48	Link	\$49.95

Rear Spring



Part#	Year	Description	Price
5468	37-48	Spring shackle bar	\$22.00
5506/60	36-48	Rear spring assy	Inquire
5550	36-41	Nut	\$5.00
5599	36-48	Pad – anti squeak	\$3.50
5705	36-48	U bolt	\$39.00
5711	36-48	Bar – center mount	Inquire
5713	36-40	Spring shackle stud	\$38.95
5783	36-48	Bumper rear axle	\$65.00

Engine

Firing order 1,4,9,8,5,2,11,10,3,6,7,12

RH 2,4,6,8,10,12 LH 1,3,5,7,9,11

Horsepower '36-9 110 @ 3900, '40-41 120 @ 3500, '46-48 125 @ 4000

Bore 2.75 267 CU / 2.875 292 CU / 2.9375 305 CI / 2.875 292 CI

Stroke 3.75

Cranking compression 105-125 lbs

Crankshaft 120 deg

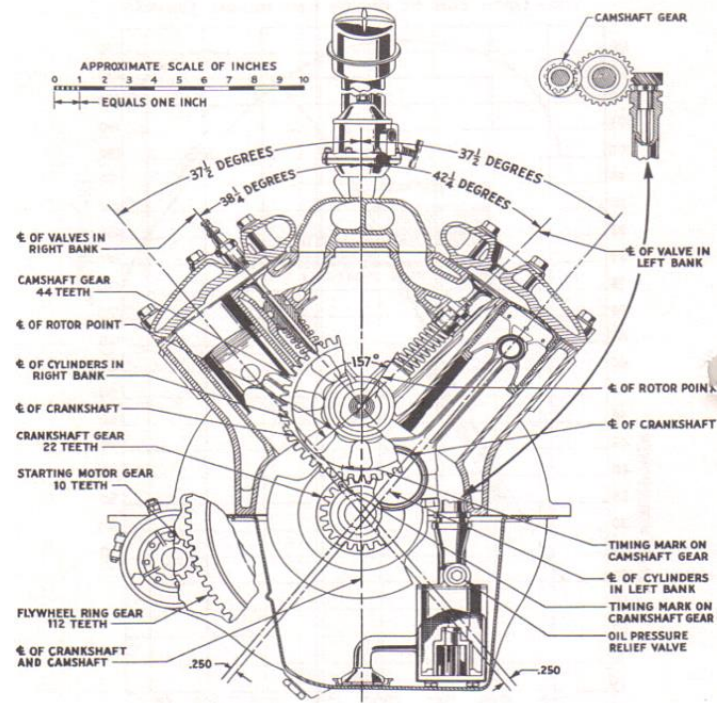
Normal oil pressure 40-45 lbs

Offset of cylinders .250"

Crankshaft end play .002-.006"

Lift of cam .292"

Valve spring press. closed 51-57 lbs



1940 LINCOLN-ZEPHYR ENGINE SHOWING ARRANGEMENT

Fig. 2

LINCOLN-ZEPHYR 1940

Aside from some basic measurements on the bore sizes which could be suspect as well as hydraulic or solid lifters, here are some ways to determine the engine year:

1936 – would not have the cast legs that support the motor mounts.

1937 – Solid lifter engine with cast legs for the motor mounts

1938- Hydraulic lifter, could be early type lifters, 2 drilled and tapped oil pressure bosses on rear

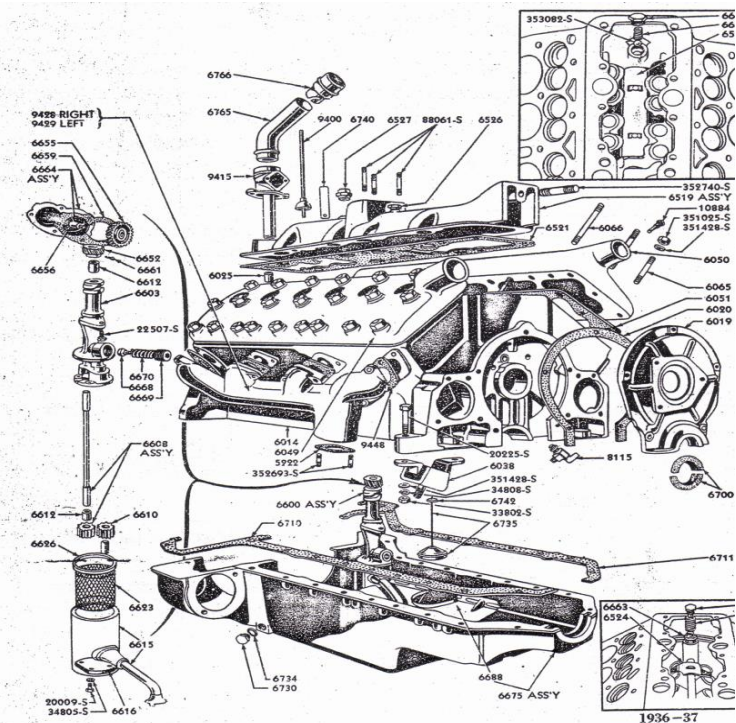
1939 – Hydraulic lifters 3 drilled and tapped oil pressure bosses on rear

1940 – Hydraulic lifters 3 drilled and tapped oil pressure bosses on rear, 6 freeze plugs on bottom with pan removed, all same size

1941 – Hydraulic lifters, 3 drilled and tapped oil pressure bosses on rear, 7 freeze plugs on bottom with pan removed, all same size

1942 - Hydraulic lifters, 3 drilled and tapped oil pressure bosses on rear, 7 freeze plugs on bottom with pan removed, all same size

Late '46-48 – 56H raised numbers cast into block, 7 freeze plugs with larger diameter plugs in center

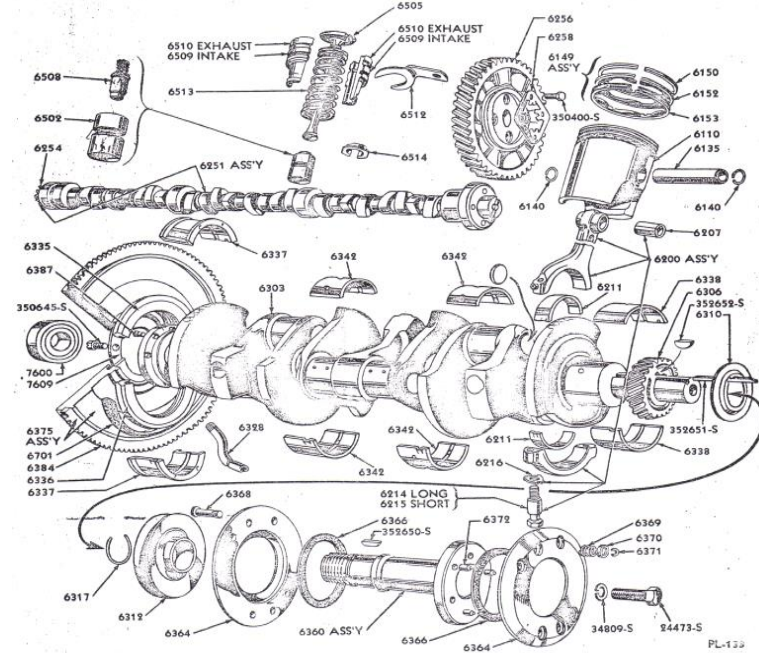
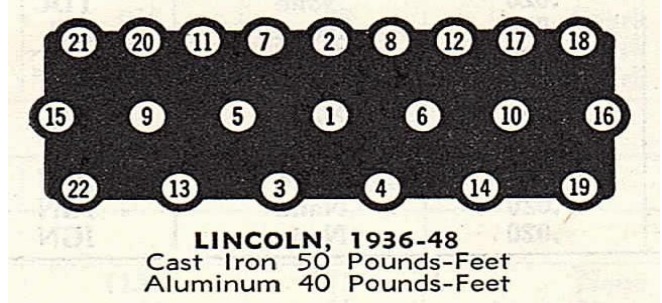


Part#	Year	Description	Price
6019	36-48	Front cover	\$75.00
6020	36-48	Cover gasket	\$13.50
6024	39-48	Oil plug	\$12.95
6025	36-37	Bushing F/P push rod	\$24.50
6025	38-48	Bushing F/P push rod	\$47.00
6038/9	36-37	Engine mount ea	\$54.50
6038	38-48	Engine mount/pr	*\$295.00
6040/41	36-48	Water baffle/pr	\$48.00
6043	38-48	Plug - oil line	\$10.00
6044	36-37	Rod - Engine brace	\$95.00
6049CI	46-48	RH Cast iron head	\$135.00
6050CI	46-48	LH Cast iron head	\$135.00
6051	36-48	Head gasket/pr	\$139.95
6065/6	36-48	Cylinder head studs/set	\$149.00
ACORN	40-41	Stainless acorn head nut set	\$425.00
351025	36-48	Head nut set	\$54.00
351428	36-48	Head stud washer set	\$24.50
351428SS	36-48	Head stud washer SS set	\$52.00
6110	36-48	Pistons w/pins set	\$695.00
6135	36-48	Piston pin	\$23.00
	36-48	Piston pin bushing	\$16.00

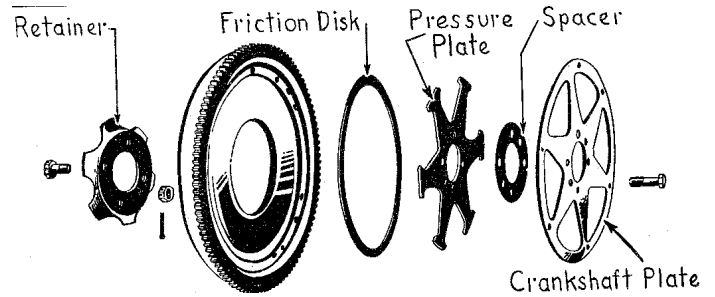
6140	36-48	Piston pin retainer/set	\$17.95
6149	36-48	Piston rings	\$245.00
6200	36-48	Connecting rod	\$75.00
6211	36-48	Rod bearings/set	\$399.95
6214/5	36-48	Rod bolt	\$12.95
6216	36-48	Rod bolt lock washer/set	\$30.00
6251	36-48	Cam reground	\$525.00
6254	36-48	Gear oil pump drive	\$22.00
6256	36-38	Timing gear	\$98.00
6258	40-48	Gear locking plate	\$9.95
6261/2/3	36-48	Cam bearing/set	\$130.00
6261/2/3	36-48	Cam brg/set oversize	\$140.00
6306	36-48	Crank gear	\$99.50
6327	39-48	Rear main bearing cap	\$85.00
6328	36-48	Pipe - R main bearing	\$65.00
6329	36-48	Interim bearing cap	\$75.00
6330	36-48	Front bearing cap	\$75.00
6337/8/42	36-48	Main bearing set	\$399.95
6360	36-48	Vibration damper	\$165.00
6366	36-48	Facing gasket set	\$14.00
6384	36-41	Ring gear	\$82.00
	47-48	Flywheel friction disc	\$45.00
6387	36-41	Dowel	\$4.75
6500	36-37	Adjustable tappets/set	\$395.00
6502	38-48	Hyd lifter body	*\$28.00
6505	36-48	Valve (mushroom stem)	\$25.00
6505	36-48	Valve (straight stem)	\$12.95
6508	38-48	Hyd lifter	*\$28.00
6509/10S	36-48	Split valve guide	\$16.75
6509/10	36-48	Once piece valve guide	\$9.95
6512	36-48	Valve guide retainer set	\$52.95
6513	36-48	Valve spring	\$8.99
6514	36-48	Valve spring retainer	\$3.45
VCONV	36-48	Intake/Exhaust valve conv kit	\$635.00
351377	36-48	Intake SS washer/set	\$15.95
20388S	36-48	Intk man SS bolt	\$3.95
6521	36-48	Intake Gasket	\$38.95

6524	36-48	Baffle ea	\$35.00
6526	36-48	Vacuum fitting	\$22.00
6544	38-48	Hyd tappet bypass	\$125.00
6600	36-48	High volume pump	\$289.50
6615	36-48	Oil pump pick up	\$58.95
6615	36-48	HV oil pump pick up w/screen	\$85.00
6623	36-48	Oil pick up screen	\$27.95
6652	36-48	Oil pump drive gear	\$17.50
6628	36-48	Screen retainer spring	\$6.95
6654	38-48	Oil pressure relief	\$14.50
6655	36-48	Idler gear & bushing	\$48.50
6659	36-48	Cover gasket	\$3.95
6664	38-48	Oil pump drive cover	\$48.00
6666	38-48	Plug – oil relief	\$25.00
6675	36-48	Oil pan	\$299.00
6688	38-48	Oil pan baffle	\$65.00
6700	36-48	Front seal	\$8.00
6710/1	36-48	Oil pan gasket	\$38.95
6714	36-48	Oil filter assy	\$195.00
18662	36-48	Oil filter element	\$21.95
6716/8	36-48	Oil filter line set SS	\$79.95
9278	36-48	Oil pressure sender	\$43.95
6730	36-48	Drain plug	\$12.50
6734	36-48	Drain plug gasket	\$4.25
6735	36-48	Oil Float	\$79.95
6740	36-48	Oil float gauge	\$32.00
6742	36-48	Oil float indicator button	\$12.95
	36-48	Float intake guide/fitting	\$20.00
6763/5	36-48	Oil filler tube	\$79.00
6766	38-48	Oil fill breather/cap	\$26.50
PAINT	36-48	Lincoln engine green spray can	\$19.95
GSKTK	36-48	Engine gasket set	\$225.00
FRPLUG	36-48	Freeze plug set	\$28.00
REARMC	36-48	Rear main positive seal conversion kit	\$199.95
6347	36-48	Rear main graphite seal	\$29.00

Head torque sequence

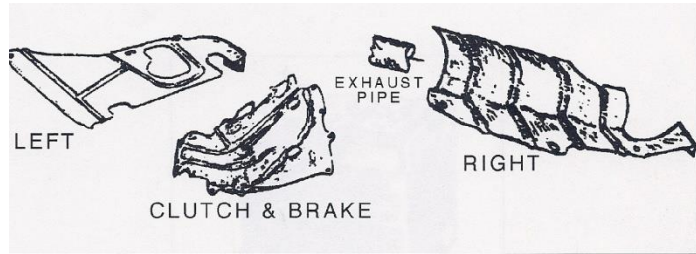


Flywheel 1942-1948

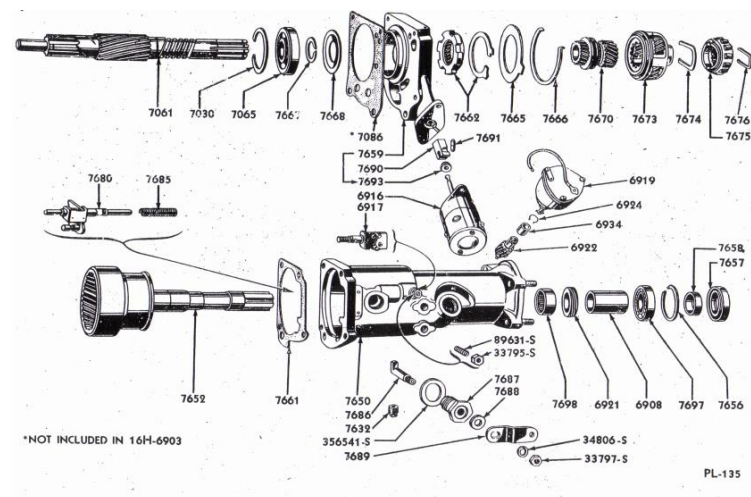


Mud Pans

Part#	Year	Description	Price
LEFT	36-48	Left engine mud pan	\$132.00
CBO	36-48	Clutch & brake orig	Inquire
RIGHT	36-48	Right engine mud pan	\$132.00



Transmission Overdrive



Part#	Year	Description	Price
4078	41-48	Control cable - specify LC or LZ	\$195.00
4081	41-48	Cable bracket on OD	\$47.00
4120	41-48	Cable bracket on dash	\$25.00
6913/4	41-48	OD relay mounting bkt	\$25.00
6915	42-48	OD relay	\$255.00
GROM	41-48	Relay mounting grommets	\$15.95
6918	41-48	Kick-down switch LZ	\$76.95
6918	41-48	Kick-down switch LC	\$95.00
6916	41-48	Solenoid rebuilt	*\$285.95
6917	47-48	Lockout switch	\$75.00
6919	41-48	Governor rebuilt	*\$198.00
6921	41-48	Governor drive gear	\$25.00
6922	41-48	Governor gear	\$25.00
6934	41-48	Sleeve	\$16.00
7061	41-48	Main shaft	\$152.00
7065	41-48	Main shaft bearing	\$34.95
7086	41-48	Gasket	\$8.50
7652	41-48	OD Main shaft	\$155.00
7656	41-48	Snap ring	\$6.95
7657	41-48	Oil seal	\$20.00
7658	41-48	Spacer	\$25.00
7661	41-48	Gasket	\$8.50
7662	41-48	Balk ring and gear plate	\$275.00
7665	41-48	Plate	\$14.00
7666	41-48	Snap ring	\$8.75

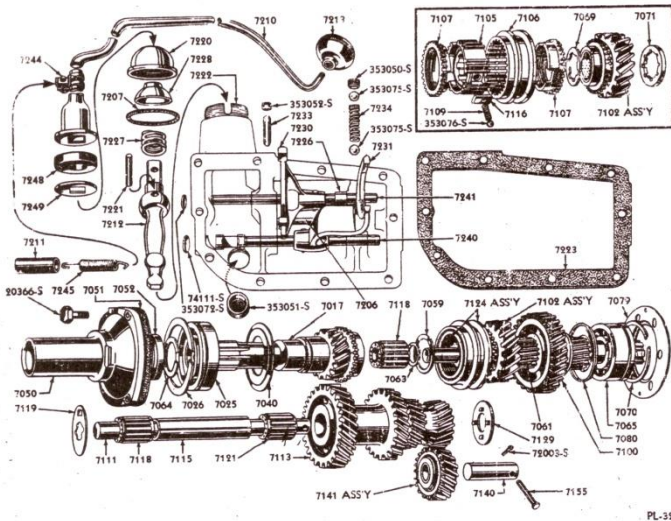
CONDITION	TEST PROCEDURE	RESULTS OR TEST	PROBABLE CAUSE	REMEDY
If overdrive does not engage when driven above 25 m.p.h.	(A) Accelerate car and listen for click of the relay at speed of approximately 25 m.p.h.	If relay clicks	Relay wiring or solenoid	Inspect No. 1 test. Apply test (E)
	(B) Ground governor terminal	No relay click	Fuel, relay switch, governor or connections	Inspect fuel. Apply test (B)
	(C) Ground screw terminal on lock only to gear built prior to Nov. 1940	If relay clicks	Governor	Replace
	(D) Ground governor terminal and screw and loosen this test at 25 m.p.h. or 1940 cars built after Nov. 1940	No click (apply test (D))	Lockout switch	Replace
	(E) Ground governor terminal and screw and loosen this test at 25 m.p.h. or 1940 cars built after Nov. 1940	Solenoid clicks	Solenoid	Replace
	(F) Ground No. 5 terminal of relay with test lamp between No. 4 and 6 screws	No click	Defective lockout switch	Replace
	(G) Ground No. 5 terminal of relay with test lamp between No. 4 and 6 screws	If relay clicks	Kickdown switch	Replace
	(H) Ground No. 5 terminal of relay with test lamp between No. 4 and 6 screws	No click	Fuel, relay or hot connections	Replace relay if fuel and connections are good
	(I) Ground No. 5 terminal of relay with test lamp between No. 4 and 6 screws	If click, but no light	Relay	Replace
	(J) Ground No. 5 terminal of relay with test lamp between No. 4 and 6 screws	If click, but no light, but no solenoid click	Solenoid or connections	After inspecting connections, replace solenoid
Car stays in overdrive all the time. Will not roll backwards.	(K) Ground relay No. 5 terminal, or disconnect lead from terminal	No click, or click when wire is re-wired and ground, no click when wire is removed from and re-attached to terminal	Ground between relay and governor	Remove ground or replace grounded
	(L) With engine idling, operate kickdown switch	Relay and solenoid both click	Solenoid stuck	Replace
	(M) With engine idling, operate kickdown switch	If relay clicks	Relay defective or grounded by chaps	Blow out chaps or replace relay
	(N) With engine idling, operate kickdown switch	No click when grounded, no click when wire is removed from and re-attached to terminal	Relay defective or grounded by chaps	Blow out chaps or replace relay
	(O) With engine idling, operate kickdown switch	Relay and solenoid both click	Solenoid stuck	Replace
	(P) With engine idling, operate kickdown switch	Relay and solenoid both click	Solenoid stuck	Replace
	(Q) With engine idling, operate kickdown switch	Relay and solenoid both click	Solenoid stuck	Replace
	(R) With engine idling, operate kickdown switch	Relay and solenoid both click	Solenoid stuck	Replace
	(S) With engine idling, operate kickdown switch	Relay and solenoid both click	Solenoid stuck	Replace
	(T) With engine idling, operate kickdown switch	Relay and solenoid both click	Solenoid stuck	Replace
Overdrive engages and disengages, but will not kick down from accelerator pedal.	(U) With engine idling, ground relay terminal No. 2	Left bank cuts out	Solenoid	Replace if tanks or refers by roll
	(V) With engine idling, ground relay terminal No. 3	Left bank cuts out	Overdrive unit locked	Replace
	(W) With engine idling, ground relay terminal No. 4	Left bank cuts out	Open connection between No. 2 and coil	Replace
	(X) With engine idling, ground relay terminal No. 5	Left bank cuts out	Open connection between No. 2 and coil	Replace
	(Y) With engine idling, ground relay terminal No. 6	Left bank cuts out	Open connection between No. 2 and coil	Replace
	(Z) With engine idling, ground relay terminal No. 7	Left bank cuts out	Open connection between No. 2 and coil	Replace
	(AA) With engine idling, ground relay terminal No. 8	Left bank cuts out	Open connection between No. 2 and coil	Replace
	(AB) With engine idling, ground relay terminal No. 9	Left bank cuts out	Open connection between No. 2 and coil	Replace
	(AC) With engine idling, ground relay terminal No. 10	Left bank cuts out	Open connection between No. 2 and coil	Replace
	(AD) With engine idling, ground relay terminal No. 11	Left bank cuts out	Open connection between No. 2 and coil	Replace
Cuts out one bank when not in overdrive.	(AE) With engine idling, ground relay terminal No. 12	Left bank cuts out	Open connection between No. 2 and coil	Replace
	(AF) With engine idling, ground relay terminal No. 13	Left bank cuts out	Open connection between No. 2 and coil	Replace
	(AG) With engine idling, ground relay terminal No. 14	Left bank cuts out	Open connection between No. 2 and coil	Replace
	(AH) With engine idling, ground relay terminal No. 15	Left bank cuts out	Open connection between No. 2 and coil	Replace
	(AI) With engine idling, ground relay terminal No. 16	Left bank cuts out	Open connection between No. 2 and coil	Replace
	(AJ) With engine idling, ground relay terminal No. 17	Left bank cuts out	Open connection between No. 2 and coil	Replace
	(AK) With engine idling, ground relay terminal No. 18	Left bank cuts out	Open connection between No. 2 and coil	Replace
	(AL) With engine idling, ground relay terminal No. 19	Left bank cuts out	Open connection between No. 2 and coil	Replace
	(AM) With engine idling, ground relay terminal No. 20	Left bank cuts out	Open connection between No. 2 and coil	Replace
	(AN) With engine idling, ground relay terminal No. 21	Left bank cuts out	Open connection between No. 2 and coil	Replace
Cuts out one bank only when in overdrive.	(AO) With engine idling, ground relay terminal No. 22	Left bank cuts out	Open connection between No. 2 and coil	Replace
	(AP) With engine idling, ground relay terminal No. 23	Left bank cuts out	Open connection between No. 2 and coil	Replace
	(AQ) With engine idling, ground relay terminal No. 24	Left bank cuts out	Open connection between No. 2 and coil	Replace
	(AR) With engine idling, ground relay terminal No. 25	Left bank cuts out	Open connection between No. 2 and coil	Replace
	(AS) With engine idling, ground relay terminal No. 26	Left bank cuts out	Open connection between No. 2 and coil	Replace
	(AT) With engine idling, ground relay terminal No. 27	Left bank cuts out	Open connection between No. 2 and coil	Replace
	(AU) With engine idling, ground relay terminal No. 28	Left bank cuts out	Open connection between No. 2 and coil	Replace
	(AV) With engine idling, ground relay terminal No. 29	Left bank cuts out	Open connection between No. 2 and coil	Replace
	(AW) With engine idling, ground relay terminal No. 30	Left bank cuts out	Open connection between No. 2 and coil	Replace
	(AX) With engine idling, ground relay terminal No. 31	Left bank cuts out	Open connection between No. 2 and coil	Replace

All ordinary servicing of this unit can be done by adjustment and corrections to the external controls.

7667	41-48	Snap ring	\$5.50
7668	41-48	Baffle	\$7.50
7670	41-48	Sun gear	\$199.00
7673	41-48	Cage gear	\$175.00
7674	41-48	Retainer	\$7.75
7675	41-48	Cam roller cage	\$40.00
7676	41-48	Retainer	\$6.75
7680	41-48	Fork & rail	\$60.00
7685	41-48	Spring	\$14.95
7686	41-48	Control shaft	\$20.00
7687	41-48	Control gland	\$25.00
7688	41-47	Oil seal	\$12.50
7688	47-48	Oil seal	\$16.00
7689	41-42	Control lever	\$25.00
7689	46-48	Control lever	\$25.00
7690	41-48	Pawl	\$30.00
7691	41-48	Plunger	\$15.00
7693	41-48	Solenoid seal	\$14.95
7697	41-48	Bearing	\$39.95
7698	41-48	Needle bearing	\$40.95

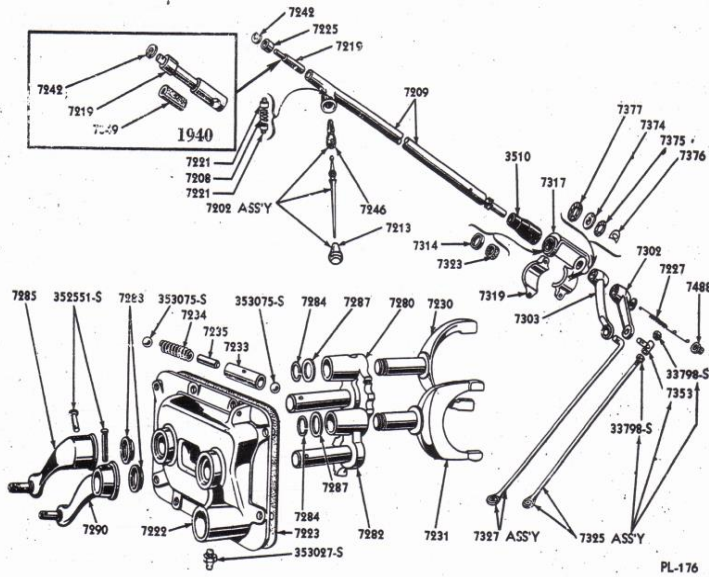
7026	36-48	Snap ring	\$10.50
7034	40-48	Vent cover	\$26.00
7040	36-48	Baffle	\$6.95
7050	36-48	Retainer	\$75.00
GSKT	36-48	Gasket set	\$24.50
7052	36-48	Front oil seal	\$14.00
7061	36-37	Main shaft	\$145.00
7061	38-48	Main shaft	Inquire
7063	36-48	Spacer	\$4.25
7064	36-48	Snap ring	\$5.95
7065	36-48	Rear main bearing	\$36.95
7069	36-48	Thrust washer	\$14.95
7071	36-47	Thrust washer	\$14.95
7085	36-48	Retainer	Inquire
	36-48	U joint gasket set	\$18.95
7090	38-48	U joint w/needle bearing	\$199.95
7095	38-48	U joint retainer	\$6.95
7100	36-48	Low & rev. gear	\$165.00
7102	38-39	Intermediate gear	\$199.50
7102	40-48	Intermediate gear	Inquire
7103	36-37	Intermediate gear	\$169.00
7104	36-37	Sleeve	\$46.00
7105	38-47	Hub	\$36.00
7106	40-48	Sleeve	\$65.00
7107	38-48	Blocking ring	\$19.00
7109/16	38-48	Ball & spring & insert	\$20.00
7111	36-48	Counter shaft	\$20.50
7113	36-39	Cluster gear	\$499.95
7113	40-48	Cluster gear	\$750.00
7118	36-48	Needle bearing	\$18.95
7119	36-48	Thrust washer	\$8.95
7121	36-48	Needle bearing	\$20.95
7124	40-48	Synchronizer assy	\$165.95
7129	36-48	Thrust washer w/o OD	\$20.75
7129	41-48	Thrust washer w/OD	\$19.95
7140	36-48	Shaft rev idler	\$21.00
7141	36-48	Rev idler gear	\$131.00
7155	36-48	Pin	\$10.00
7201	40-48	Shifter housing/cover	Inquire

Transmission 3 spd



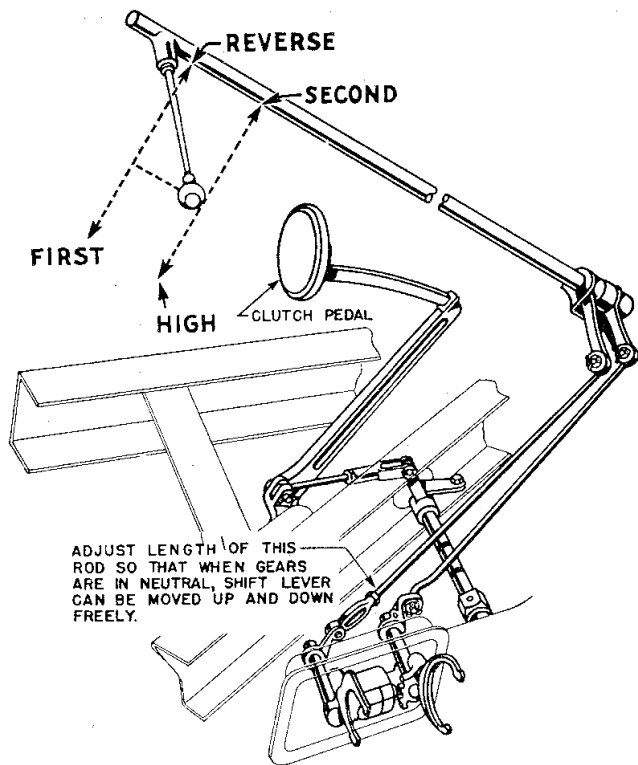
<i>Part#</i>	<i>Year</i>	<i>Description</i>	<i>Price</i>
7017	36-37	Main drive gear	\$245.00
7017	38-39	Main drive gear	260.00
7017	40-48	Main drive gear	\$285.00
7025	36-48	Bearing main drive gear	\$38.75

Gear Shift

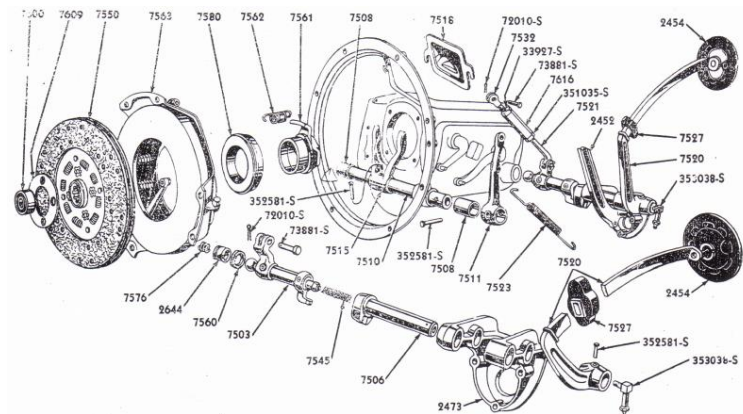


STEERING GEAR TYPE GEAR SHIFT

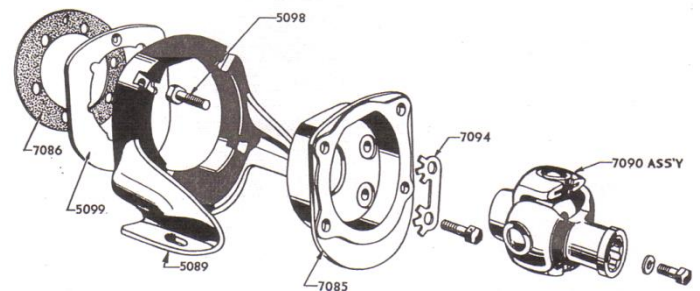
Part#	Year	Description	Price
7202	40-48	Gear shift lever	\$45.00
7209	40-48	Gear shift shaft	\$65.00
7213	36-48	Gear shift knob	See plastic
7219	40-48	Shift lever fulcrum pin	\$18.95
7220	38-39	Shift lever cap	\$12.00
7221	40-48	Trunnion	\$14.00
7222	40-48	Gear shift housing	Inquire
7230/1	40-48	Shift fork	\$45.00
7280/2	40-48	Cam and shaft assy.	\$55.00
7246	40-48	Shift lever bushing	\$16.95
7285/90	40-48	Shift arm/lever ea.	\$40.00
7288	40-48	Side shaft seals (2)	\$18.95
7302/3	40-48	Lower column shift arm ea.	\$43.00
7317	40-48	Bracket assy	\$125.00
7325	40-48	Shift rod linkage	\$40.00
7327	40-48	Shift rod linkage	\$35.00
RODK	40-48	Shift rod bushing kit	\$36.95
7488	40-48	Spring retainer cap	\$21.00

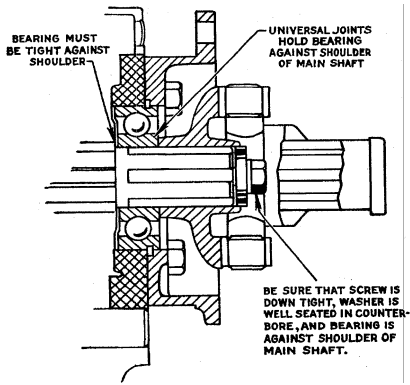


Clutch

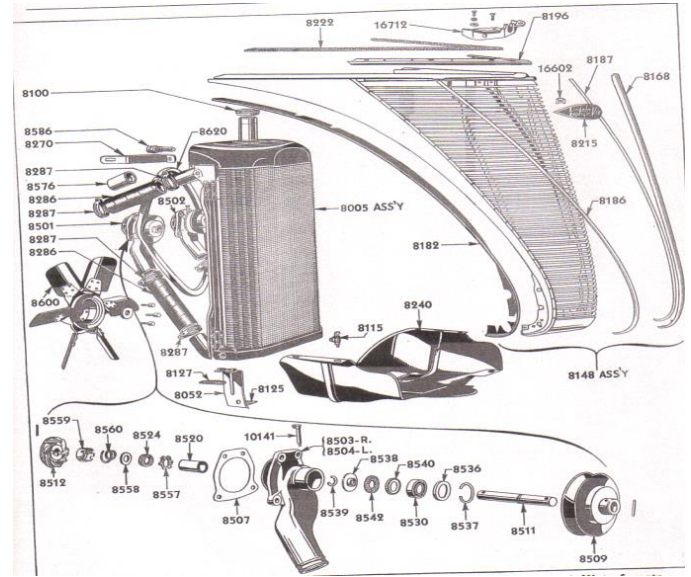


CLUTCH AND CLUTCH PEDAL (1940)

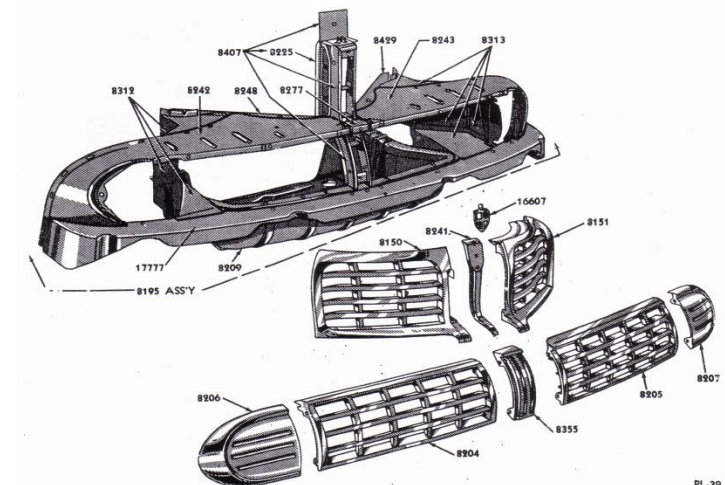
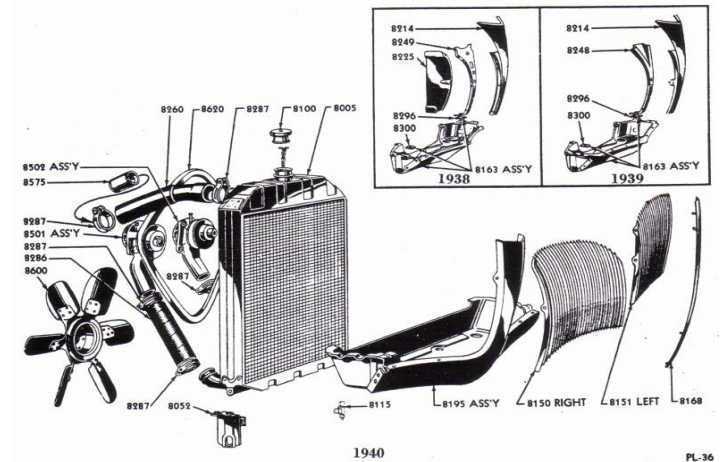




Radiator



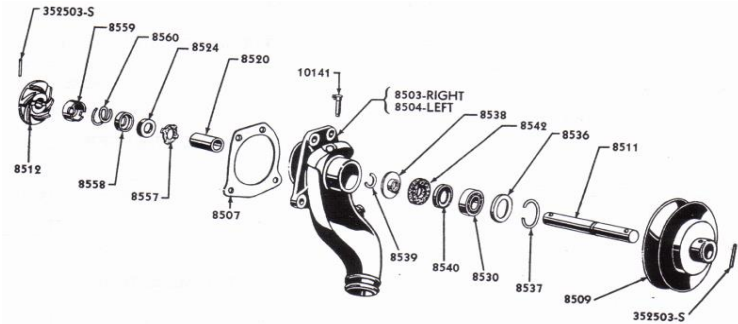
Part#	Year	Description	Price
2644	40-41	Bushing	\$24.95
2644	42-48	Needle bearing	\$95.00
7503	38-41	Shaft assy	\$105.00
7506	36-37	Shaft	\$30.00
7506	40-48	Shaft	\$75.00
7508	47-48	Bushing	\$10.95
7510	36-48	Clutch release shaft	\$32.00
7511	38-48	Clutch release lever	\$45.00
7514	38-39	Bracket & bushing	Inquire
7515	36-48	Fork	\$45.00
7518	36-48	Cover	\$25.00
7520	36-48	Pedal arm	\$65.00
2424	40-48	Pedal pad extension	\$26.95
2454	36-48	Pedal pad	\$42.00
7521	40-48	Rod	\$28.00
7523	40-48	Spring retracting	\$52.00
7527	36-48	Floor board seal/bumper/pr	\$22.95
7532	36-48	Clevis	\$16.00
7533	36-48	Clevis pin	\$3.00
7545	40-48	Clutch pedal lever shaft spring	\$12.95
7550	36-48	Clutch disc	\$82.00
7560	36-48	Washer	\$2.00
7561	36-48	Hub	\$32.00
7562	36-48	Hub spring	\$6.95
7563	36-48	Pressure plate	\$170.95
7576	40-48	Clutch shaft bushing spring	\$17.95
7580	36-48	Throw out bearing	\$42.00
7600	36-48	Pilot bearing	\$25.00
7616	38-48	Turnbuckle	\$26.00
352581-S	36-48	Pin	\$1.95



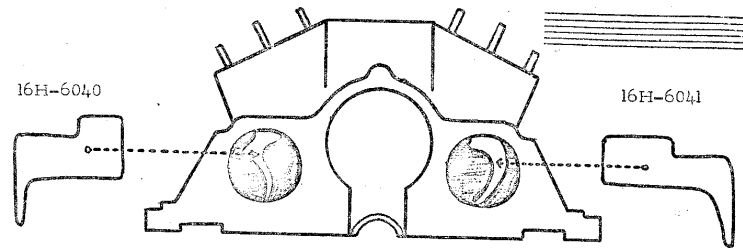
FRONT END (1946-48)

Part#	Year	Description	Price
8005	36-48	Radiator	Inquire
8052	42-48	Radiator support	\$55.00
8100	38-41	Radiator cap replacement	\$25.00
8100	42-48	Radiator cap replacement	\$25.00
8115	42-48	Radiator drain cock	\$26.95
8115	36-48	Engine drain cock	\$26.95
8125	36-38	Anti squeak	\$10.00
8150/1	38-41	Grille L or R	Inquire
	40-41	Grille screw kit	\$38.95
8150/1	42	Grille lower stainless	Inquire
8150/1	46-48	Grille upper L or R	Inquire
8168	36-37	Grille center trim raw casting	\$365.00
8168	40	Grille center trim mldg LZ raw casting	\$165.00
8168	40-41	Grille center trim mldg LC raw casting	\$165.00
16778	38	Grille center casting	\$125.00
8196	36-7	Radiator trim top	\$195.00
8204/5	42	Lower grille L or R	Inquire
8204/5	46-8	Lower grille L or R	Inquire
8206/7	46-8	Fog lamp outer bezel	\$255.00
8241	46-8	Center grille upper	\$125.00
8260	40-48	Upper rad hose	\$42.00
8286	38-48	Lower rad hose	\$24.95
8287	36-48	Hose clamp	\$3.25
8303	42-48	Air deflector panel	\$98.00
8355	46-48	Grille center lower	\$135.00
8575	36-48	Thermostat repro	\$55.95
8575	36-48	Thermostat original	\$115.00
8600	36-48	Fan	\$230.00
8601	36-48	Vibration damper	\$165.00
8620	36-38	Fan belt scripted	\$54.95
8620	39-48	Fan belt scripted	\$54.95
8620	36-38	Fan belt replacement	\$32.00
	36-48	Fan bolt long hex	\$17.95
10884	38-48	Temp sender in head	\$78.95

Water Pump



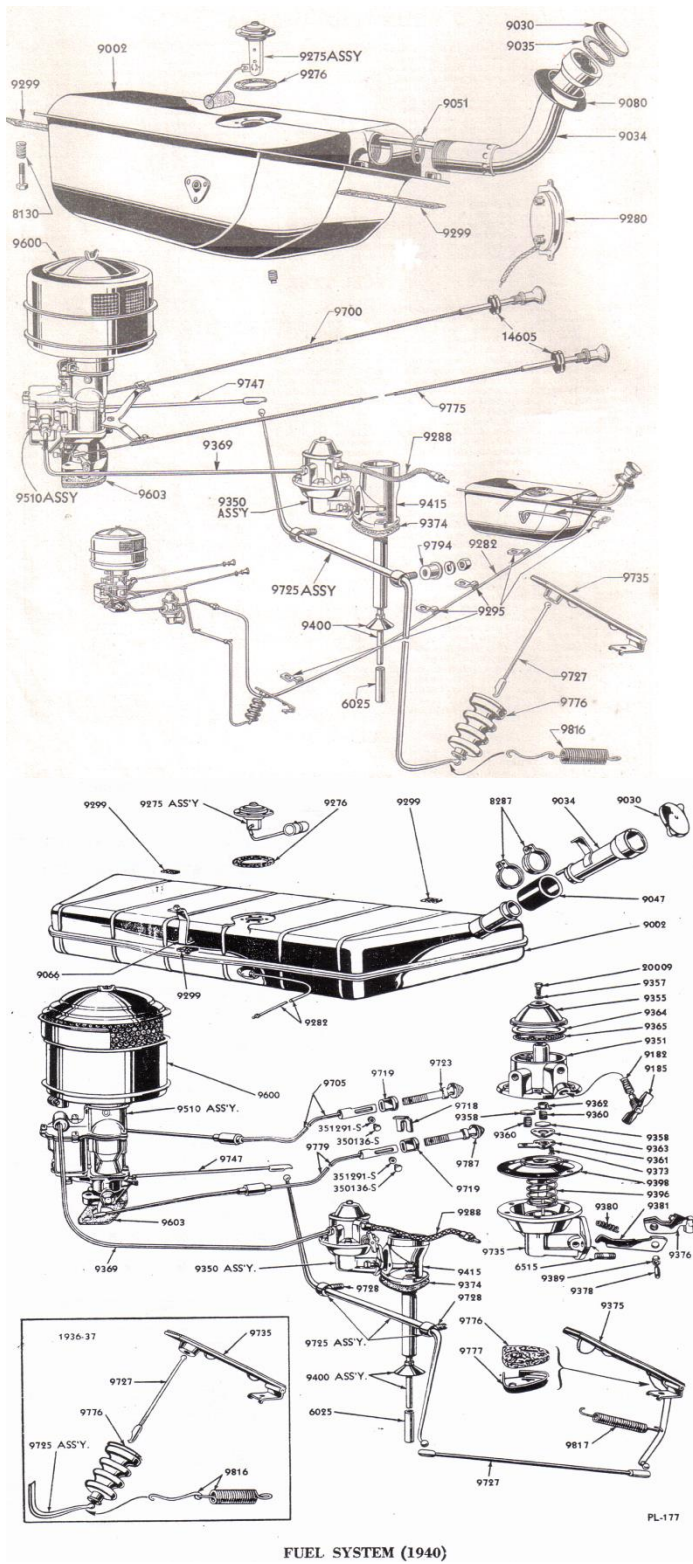
Water Pump Deflector Plates



The above illustration shows the installed position of the baffles. The baffles should be pre-formed (bent) to the approximate contour they will have after installation. In order to achieve this with a minimum of exasperation, make yourself a pair of dummy cardboard baffles & use these to familiarize yourself with the installed position.

Part#	Year	Description	Price
8501S	36-48	Water pump RH	*\$259.00
8502S	36-48	Water pump LH	*\$259.00
WPKIT	36-48	WP rebuild kit	\$39.95
8507	36-48	Gasket	\$6.95
10141	36-48	Oiler	\$35.50
10884	40-48	Temp sender unit in head	\$78.95
6040/41	36-48	Water pump deflector plates pr	\$48.00

Fuel Tank



Part#	Year	Description	Price
9002	36-39	Fuel tank	\$489.95
9030	36-41	Fuel filler cap	\$35.00
9030	42-48	Fuel filler cap	\$75.00
9034	36-48	Fuel filler neck	\$75.00
9047	40-48	Fuel filler neck hose	\$20.00
9051	36-39	Lead filler washer	\$15.95
9080	36-39	Fuel filler fender grommet	\$34.00
9273	36-38	Oil gauge	Inquire
9274	41	Fuel gauge: temp bar	\$5.00
9275	36-39	Fuel tank sender	\$62.00
9275	40-48	Fuel tank sender	\$76.95
9276	36-48	Fuel Tank sender gasket	\$8.00
	36-48	Sender float	\$16.95
9278	36-48	Oil pressure sender 50lb replacement	\$43.95
9280	36-48	Fuel gauge	Inquire
9288	36-48	Flexible fuel line	\$17.25
9369	36-48	Engine copper plated line	\$39.95
9295	36-38	Fuel line clips	\$4.75
9299	40-48	Anti-squeak 3 pcs	\$29.00
9350	36-41	Fuel pump	\$69.95
9350	42-48	Fuel pump w/glass bowl	\$79.95
9355	42-48	Glass bowl	\$13.95
9364	42-48	Glass bowl gasket	\$1.95
9374	36-48	Gasket	\$1.75
9398	36-48	Diaphragm kit	\$21.95
FPKIT	36-48	F/P rebuild kit	\$42.95
9417	36-48	Fuel pump gasket	\$1.95
9400	38-48	Fuel pump push rod	\$82.95
6025	38-48	Fuel pump push rod bushing	\$47.00
9415	36-48	Fuel pump mount	\$48.00

Exhaust Manifolds

Part#	Year	Description	Price
9428/9	38-48	Exhaust manifold RH or LH	\$135.00
9488	36-48	Gasket set	\$28.95
9460	38-48	Manifold control valve	\$298.00
352693	36-48	Manifold to pipe studs set	\$8.95
36-48		Manifold brass nut set	\$5.95

Carburetor

Float setting 19/32"

Idle screw adj 3/4 to open

Idle rpm 375-400

F/P pressure 1.5-3.5 lbs

F/P volume 1 pt -45 sec @ idle

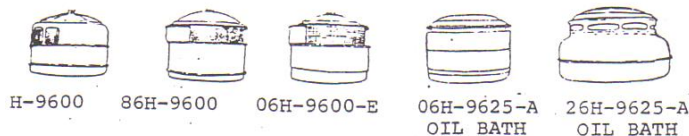
Vacuum 10"

Part#	Year	Description	Price
9447	36-48	Carb base gasket	\$3.95
9505	36-48	Carburetor rebuilt	*\$345.00
9550	38-48	Carb float	\$24.95
CARBK	36-37	Carb rebuild kit	\$42.95
CARBK	38-48	Carb rebuild kit	\$52.95
9603	36-41	Spacer 3 bolt	\$40.00
9603	42-48	Spacer 4 bolt	\$50.00
9631	38-48	Piston assy leather	\$16.95
9904	38-48	Power valve	\$14.50
HDWR	36-48	Stainless hold down nuts & washers set	\$12.50

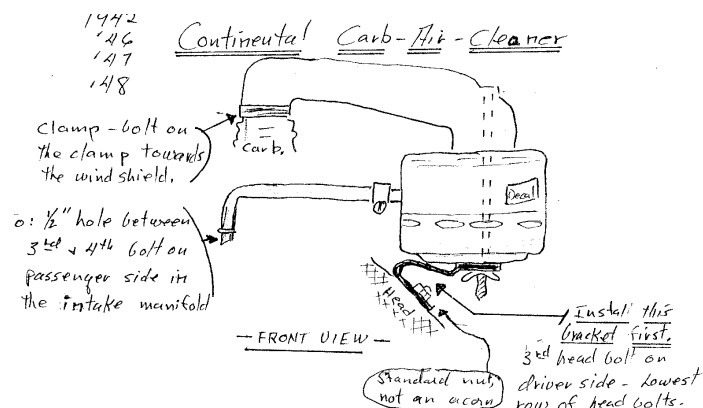
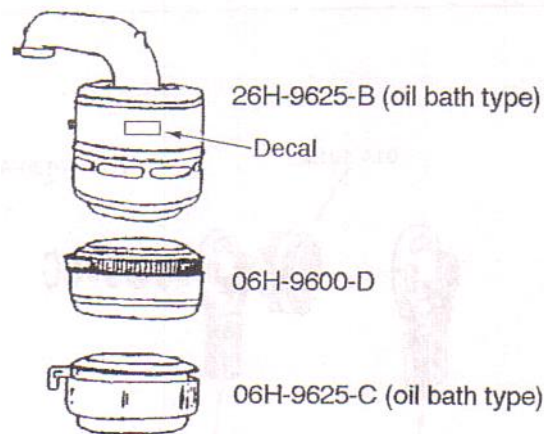
Air cleaner

AIR CLEANERS or SILENCERS

PUMP LINES



Continental

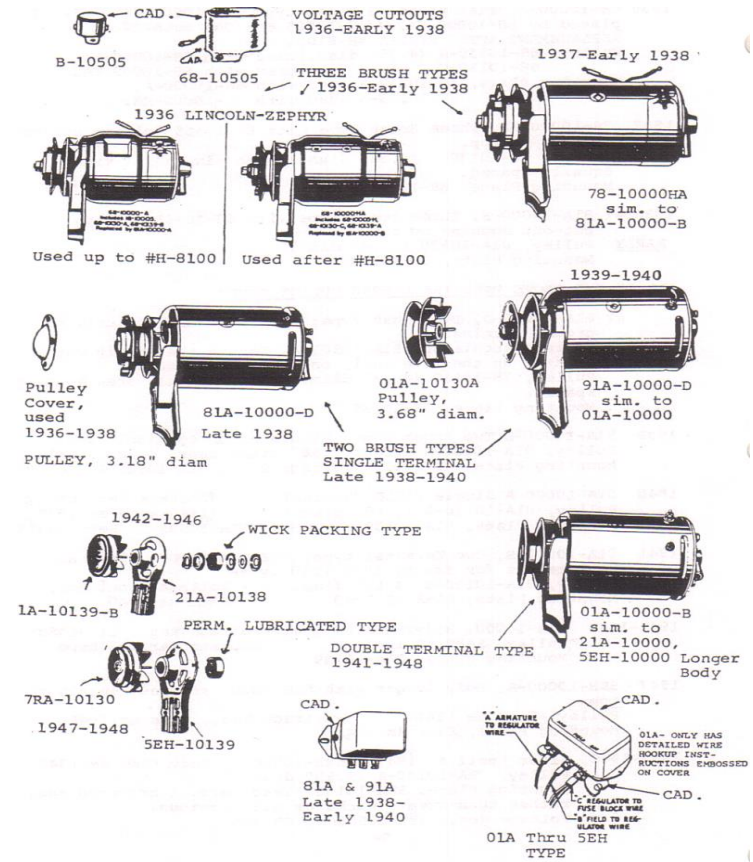


Part#	Year	Description	Price
9600LZ	36-48	Air cleaner Zephyr	Inquire
9600LC	40-48	Air Cleaner Continental	Inquire
9659	38-48	Breather pipe	\$31.00
9663	42-48	Bracket	\$20.00
ELEM	38-41	Copper mesh element	\$38.95
9628	42-48	Carb to pipe clamp	\$26.50
CLAMP	38-41	Clamp w/extended handle	\$55.00
DECAL	36-48	Air cleaner decal	\$12.00
WING	36-48	Wing nut	\$2.95

Choke and Throttle controls and Accelerator

<i>Part#</i>	<i>Year</i>	<i>Description</i>	<i>Price</i>
14605	36-48	Firewall grommet	\$5.95
9705	40-48	Choke rod	\$69.50
9714	39-48	Rod ball insulator	\$1.95
9718/9	40-48	Dash C&T grommets	\$52.95
	39-48	C&T joiners	\$25.95
9723	36-48	Choke knob	See plastic
9725	36-48	Shaft & bracket LZ	\$75.00
9725	40-48	Shaft & bracket LC	\$145.00
9727	36-48	Rod assy	\$32.00
9375	36-48	Pedal assy	\$125.00
9735C	36-48	Gas pedal cover	\$42.00
9737	40-48	Shaft bracket spring	\$22.00
9747	36-48	Accel to carb rod	\$32.95
9776	36-37	Accel pedal boot	\$35.95
9776A	40-48	Accel pedal seal	\$18.95
9777	40-48	Accel pedal dust cover	\$30.00
9779	40-48	Throttle rod	\$69.50
9787	36-48	Throttle knob	See plastic
9791/2	36-39	Carb C&T control bkt	\$45.00
9817	38-48	Accelerator spring	\$21.95
9850	41-42	Auto choke	Inquire

Generator



Part #	Year	Description	Price
HDWR	36-48	Hardware kit	\$18.95
9780	36-38	Pulley cover	\$48.95
10057	38-48	Brush spring	\$6.95
10069	36-38	Brush main	\$6.95
10069	38-39	Brush & wire	\$7.50
10070	36-38	Brush	\$4.25
10094	37-39	Bearing front	\$18.95
10120	36	Bolt	\$5.25
10120	38-42	Bolt	\$5.25
10128	38-48	Rear end plate bushing	\$7.75
10129	36-38	Rear end plate	\$34.95
10130	36-48	Pulley	\$45.00
10142	36-48	Cover band	\$15.75
10000	36-48	Rebuilt generator	*\$245.00

Cutout & Voltage Regulator

Cutout closing voltage 6.4-6.9 volts
Cutout points open 0-8 amp
Current limiter setting 38-42 amp
Voltage limiter setting 7.0-7.5 volts

<i>Part#</i>	<i>Year</i>	<i>Description</i>	<i>Price</i>
10402	41-47	VR mounting plate	\$45.00
10505	36-38	Cutout	Inquire
10505R	38-47	Regulator new	\$82.95
10610	38-48	Rubber mounting set	\$15.95
HDWR	38-48	Mounting screw set	\$4.50
RIVET	38-48	Cover rivet set	\$3.25

Battery

<i>Part#</i>	<i>Year</i>	<i>Description</i>	<i>Price</i>
10682	36-48	Corrosion arrestor/pr	\$5.50
14321	38-48	Cover solenoid cable	\$19.95
14550R	39-48	Battery cable grommet	\$14.50
14550	39-48	Battery cable support	\$12.95
Cable +	38-48	Pos battery strap	\$38.00
Cable -	38-48	Neg battery cable	\$34.00

Ammeter & Temperature Indicator

<i>Part#</i>	<i>Year</i>	<i>Description</i>	<i>Price</i>
10844	39-41	Battery gauge	\$75.00
10850	42-48	Battery gauge	\$75.00
10851	42-48	Instrument cluster assy	\$395.00
10863	39-41	LZ inst lens	\$45.00
10883	36-48	Temperature gauge	\$75.00
10884	38-48	Temp sending unit	\$79.50
10897	40-41	LC gauge lens	\$45.00
	39-41	Instrument lens gasket	\$5.50

Starter

Min cranking voltage 4.5-5.5
Amperage draw 150-200
Lock amperage 500
Normal cranking speed 100
Generator
Rating (amperes) 42
Voltage 7

<i>Part#</i>	<i>Year</i>	<i>Description</i>	<i>Price</i>
10142	36-48	Starter cover band	\$15.75
11052	36-48	End plate bushing	\$7.50
11057	36-48	Brush set	\$14.95
11083/5	36-48	Field coil set	\$44.95
11140	46-48	Starter to pan bkt	\$12.75
11350	36-47	Starter drive	\$82.50
11350	48	Starter drive	\$98.00
11375	36-47	Drive spring	\$17.95
11450	36-48	Starter solenoid	\$49.95
14231	38-48	Solenoid cable boot	\$17.95
11500	36-48	Starter button replacement	\$18.95
11002	36-47	Starter	\$225.95

Circuit Breaker

<i>Part#</i>	<i>Year</i>	<i>Description</i>	<i>Price</i>
11624	36-48	Circuit breaker panel	\$56.00
12250	36-48	Ignition resistor	\$10.95

Light Switches

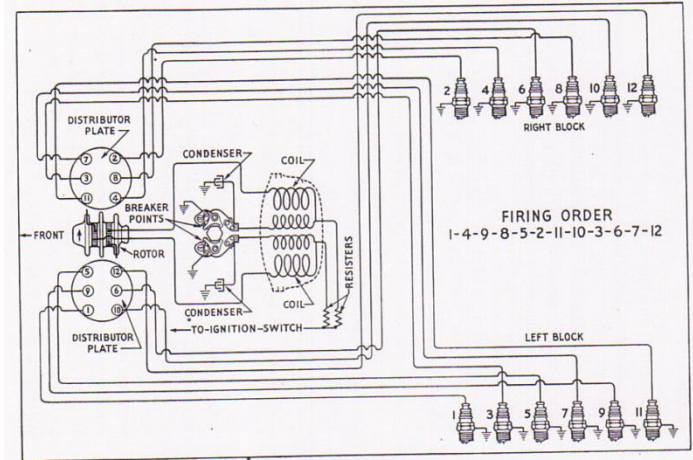
<i>Part#</i>	<i>Year</i>	<i>Description</i>	<i>Price</i>
11653	41-48	Light switch 5 term	\$125.00
11653N	41-48	Light switch new	\$82.95
13090	37-48	Dimmer sw grommet (metal)	\$25.50
13090R	37-48	Dimmer sw grommet rubber	\$22.95
13532	41-48	High beam foot switch	\$26.50
11663	38-48	Shaft	\$20.00
13752	40-48	Rear trunk/Dome light switch	\$22.50
13740	36-48	Panel dimmer	\$42.00
13480	39-48	Stop light switch	\$20.50

Instrument Panel Instruments and Moldings

Part#	Year	Description	Price
11824	36	Inst. Cluster assy	Inquire
11827	36	Inst. Cluster bezel	Inquire
11829	36	Inst. Cluster/speedo lens	Inquire
10863	39-40	Bezel & lens inst. cluster	\$175.00
10853	37	Inst. Case & bezel	Inquire
10897	39-41	Inst. /speedo lens	\$45.00
5606048	42 LC	Inst. Cluster molding	\$165.00
7306048	42-48	Inst. Cluster molding	\$135.00
	40-41	Dash knob escutcheon	\$12.00
	36-48	Light bulb	\$2.25

Ignition Coil, Distributor and Condenser

Dwell angle 35-38 deg (per contact)
 Contact point opening .014"-.016"
 Contact spring tension 20-24 oz
 Rotation (rotor end) LH
 Auto advance no brake Starts @ 200 rpm @ 1 deg initial setting 600-12-13 deg
 Vacuum advance 6-1/2 deg adv @ 1000 rpm w/vac of 1.1"hg applied to brake
 Ignition timing 2 deg BTC
 Firing order 1-4-9-8-5-2-11-10-3-6-7-12
 Condenser capacity .31-.34 MFD
 Spark plug H-10
 Gap .028"



TEST COIL OUTPUT ON CAR

- 1 Idle engine.
- 2 Ground negative high tension lead to engine (see Fig. 1).
- 3 Clip positive high tension lead to end of spark plug wire or radio suppressor.
- 4 Set spark gap at compression of engine using highest reading obtained in compression test (opr. 6050-A).
- 5 Lift wire from spark plug (see Fig. 1).
- 6 Spark should jump gap regularly without missing.
- 7 Repeat test from all spark plug wires.
- 8 If satisfactory spark is obtained from all wires, coil, condenser, rotor, terminal plates, caps, all spark plug wires and radio suppressors are OK. (proceed with opr. 12405-A, see Fig. 2).
- 9 If a satisfactory spark is not obtained from any of the spark plug wires, the condenser, coil or rotor is at fault (see operation 12300-B and 12300-C also 12024-B and 12024-C).
- 10 If a satisfactory spark is obtained from any one or several of the spark plug

wires, the condenser and coil are OK. The rotor likewise is not shorted and the trouble lies between the rotor gap and the end of the spark plug wire.

11 If car is equipped with radio suppressors, remove suppressor and test from end of spark plug wire.

12 If satisfactory spark is now obtained suppressor resistance is too great and it should be replaced.

13 See that each wire is firmly seated in terminal plate.

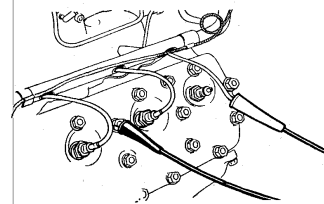
14 Examine terminal plate and caps for shorts. If terminal plates and caps are OK, replace spark plug wires at fault.

15 Generally speaking, when a satisfactory spark is not obtained from one cylinder, the wire or radio suppressor is at fault.

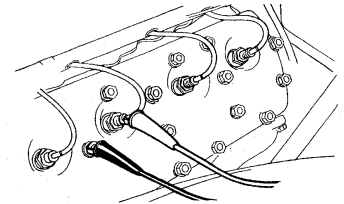
If two cylinders firing from one rotor point, inspect the terminal plate or cap.

If four cylinders firing from one rotor point, gap between rotor and terminal plate is excessive.

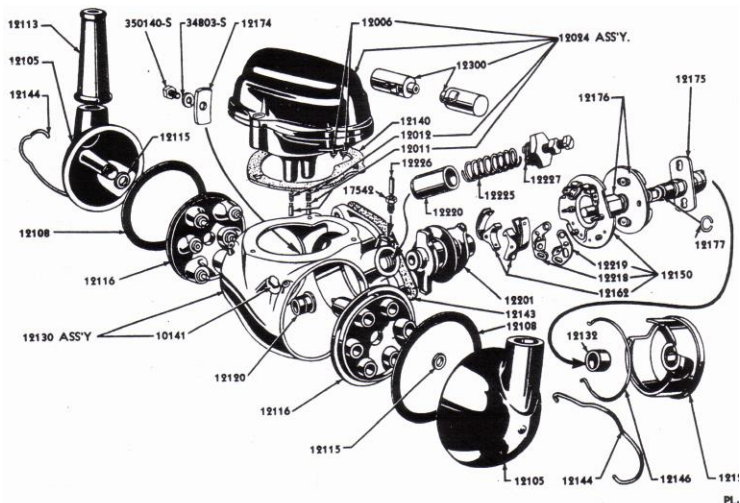
16 Proceed with operation 12405-A which provides for testing of spark plug resistance as shown in Fig. 2.



TESTING COIL OUTPUT, OPR. 12024-A
Fig. 1

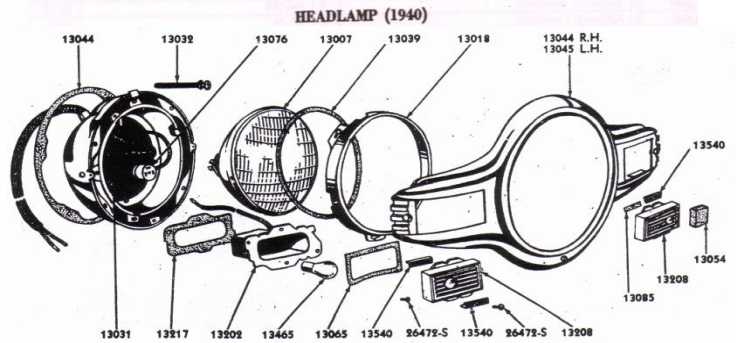
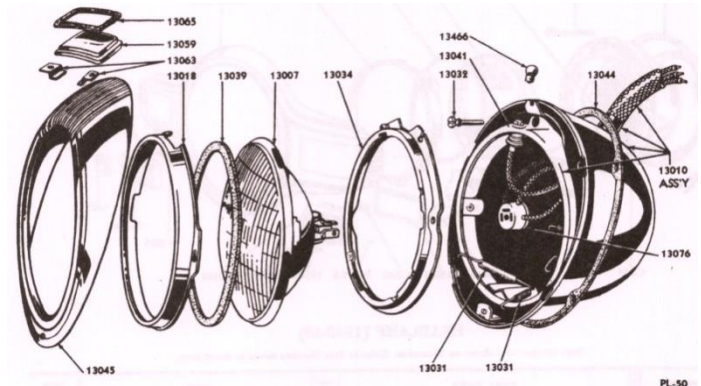


TESTING SPARK PLUG RESISTANCE, OPR. 12405-A
Fig. 2



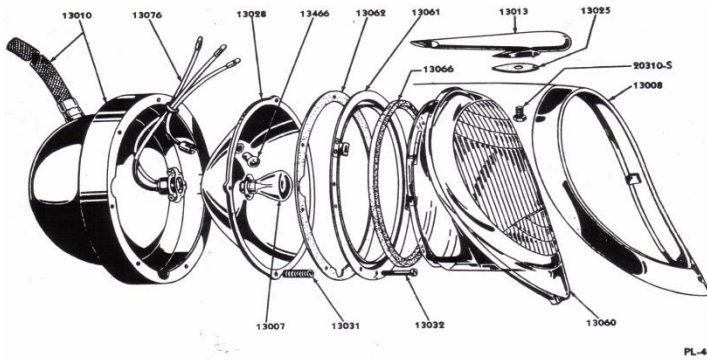
Part#	Year	Description	Price
12011/12	36-48	Coil brush (2) w/springs set	\$14.75
12024	36-48	Rebuilt coil	*\$329.95
27185	36-48	Coil screw set ss	\$4.95
12105	36-48	Distributor cap	\$50.00
12108	36-48	Dist. cap gasket pr	\$6.95
12113	36-48	Loom rubber boots/pr	\$48.00
12115	36-48	Dist cap retainer ring pr	\$5.00
12116	36-48	Terminal plate ea.	*\$130.00
12120	36-48	Front bushing	\$9.25
12130	36-48	Rebuilt distributor	*\$279.95
12132	36-48	Rear bushing	\$7.95

12140	36-48	Coil gasket	\$5.95
12143	36-48	Dist base gasket	\$5.95
12144	36-48	Distributor cap bail	\$14.95
12162/218	36-48	Breaker points /pr US Made	\$59.95
12175	36-48	Distributor shaft	\$85.00
12201	36-48	Rebuilt rotor	*\$130.00
12220	36-48	Vacuum brake plunger	\$17.95
12225	36-48	Brake plunger spring	\$7.50
12226	36-48	Vacuum tube	\$45.00
12227	36-48	Vacuum brake adjuster	\$12.50
12280	36-48	Wire loom tube set w/o crossover	\$145.00
CROSS	36-48	Loom crossover	\$45.00
12300	36-48	Condensers/pr	\$45.00
12405	36-48	Spark plug H-10C set	\$49.95
SPWRE	36-48	Ignition wire set	\$112.00
	36-48	Ignition Resistor	\$10.50
ADPT	36-48	Coil adapter kit for modern coils	\$295.99

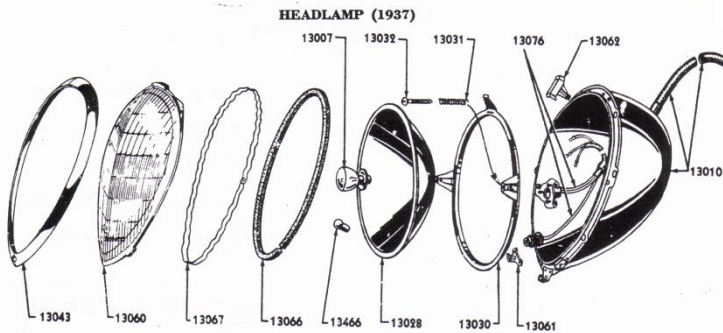


HEADLAMP (1942-48)

Headlamp



PL-48



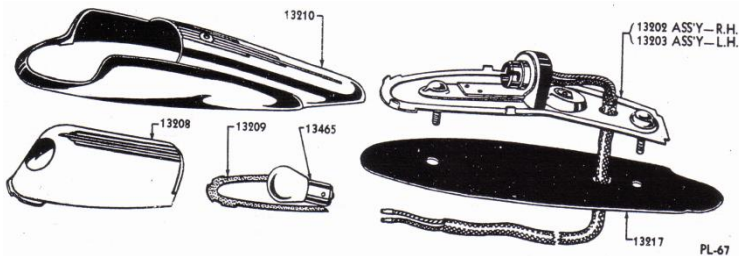
PL-49

HEADLAMP (1938-39)

Part#	Year	Description	Price
13007	36-39	Headlamp bulb	\$7.95
13007	40-48	Sealed beam headlamp	\$36.95
13008	36-37	Headlamp rim	\$175.00
13010	38-39	Headlight bucket	\$159.00
13010	40-41	Headlight bucket	\$195.00
13010	42-48	Headlight bucket	\$98.00
13018	40-48	Retainer headlight bulb	\$22.75
13028	38-39	Reflector	\$46.95
13030	38-39	Ring assy headlight reflector	\$58.95
13031/2	36-48	Spring & retainer hdwr	\$26.95
13034	40-41	Ring	\$45.00
13043	38	Headlight rim	\$175.00
13043	39	Headlight rim	\$125.00
13044	38-48	Gaskets bucket to fender	\$23.50
13044/5	42-48	Headlight door L or R	\$245.00
13045	40	Headlight door	\$495.00
13045	41	Headlight door	\$595.00

13059	40	Parking light lens	\$60.00
13060	36-37	Headlight lens	\$295.00
13060	38	Headlight lens	\$235.00
13060	39	Headlight lens	\$295.00
13061/2	38-39	Retainer, upper or lower	\$38.00
13063	40	Parking lens retainer	\$5.00
13065	42-48	Parking light lens gasket/pr	\$12.95
13066	36-39	Headlight lens cork	\$12.75
13067	38-39	Headlight lens retainer	\$22.95
13085	42-48	Gasket set dummy lens	\$6.95
13090	37-48	Dimmer switch grommet (metal)	\$25.50
13090R	37-48	Dimmer sw grommet rubber	\$20.95
13091	42-48	Tail light bucket wire grommet ea.	\$6.95

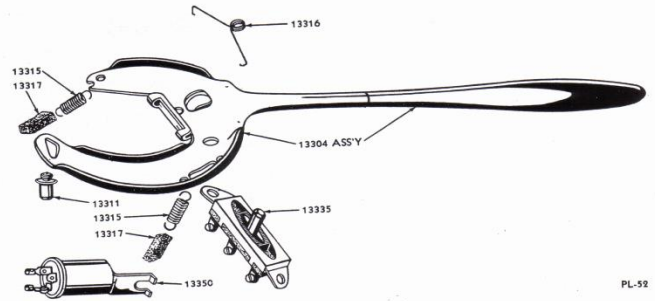
Parking Lamp



PARKING LAMP (1941)

Part#	Year	Description	Price
13202/3	41	Parking light base	\$115.00
13202	42-48	Parking light bucket	\$49.00
13208	41	Parking light lens orig	\$300.00
13208	41	Parking light lens repro	\$135.00
13208	42-48	Parking light lens	\$55.95
13540	42-48	Parking light lens retainer	\$5.00
13209	41	Gasket PL lens/pr	\$14.95
13210	41	Parking light cover	\$275.00
13217	41	Mounting pad/pr	\$48.95
13217	42-48	PL Bucket gasket/pr	\$18.95
13465	36-48	Bulb	\$3.95

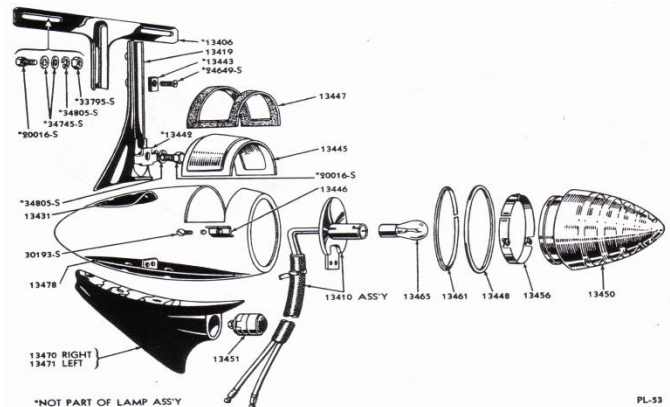
Directional Signal Lamp Switch



PL-52

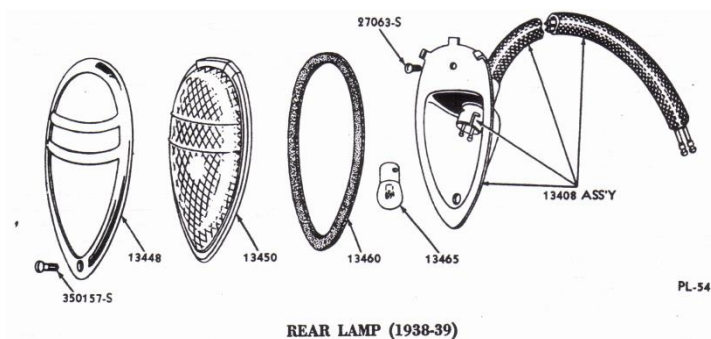
Part#	Year	Description	Price
13304	41-48	Lever assy less handle	\$85.00
13315	41-48	Spring	\$8.50
13316	41-48	Spring	\$9.75
13318	41-48	Cam – turn off	\$20.00
13335	41-48	Turn signal switch	*\$75.95
13340	41	Turn signal indicator jewel chrome only	\$26.50
13580	41	Hi beam & turn signal indicator socket	\$44.95
13350	41-48	Flasher	\$16.95
	41-48	Plastic handle	See plastic

Rear Lamps

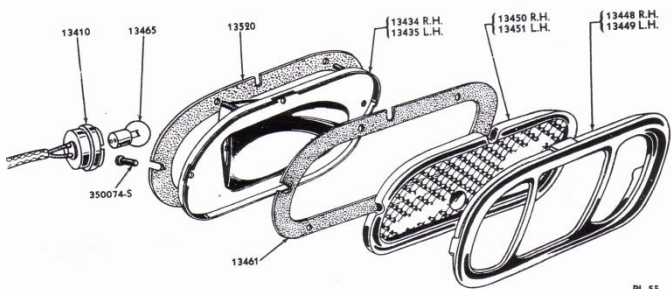


REAR LAMP (1936-37)

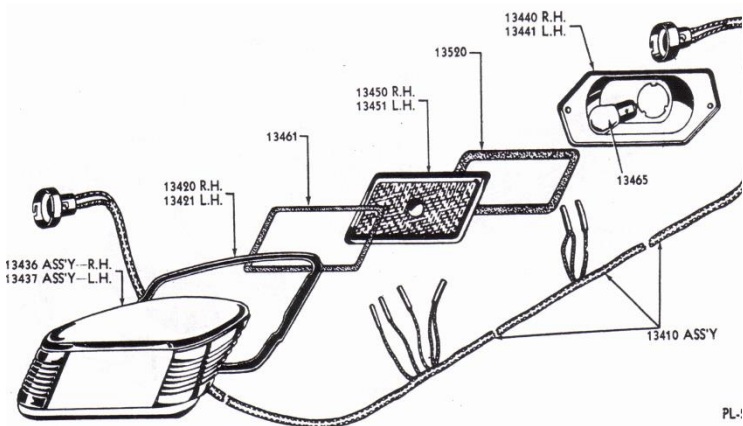
PL-53



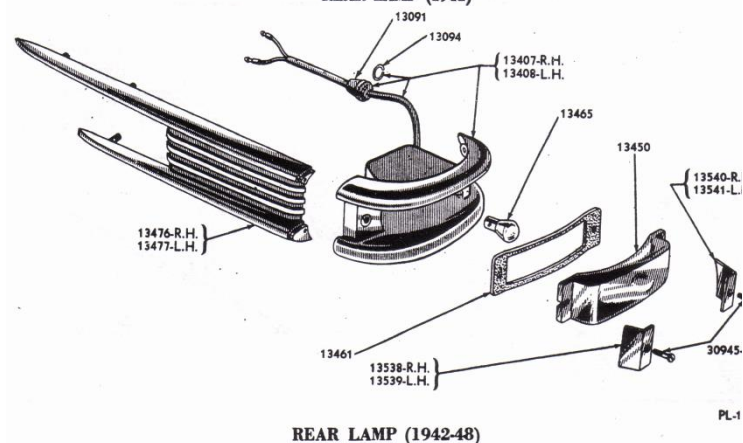
REAR LAMP (1938-39)



REAR LAMP (1940)



REAR LAMP (1941)

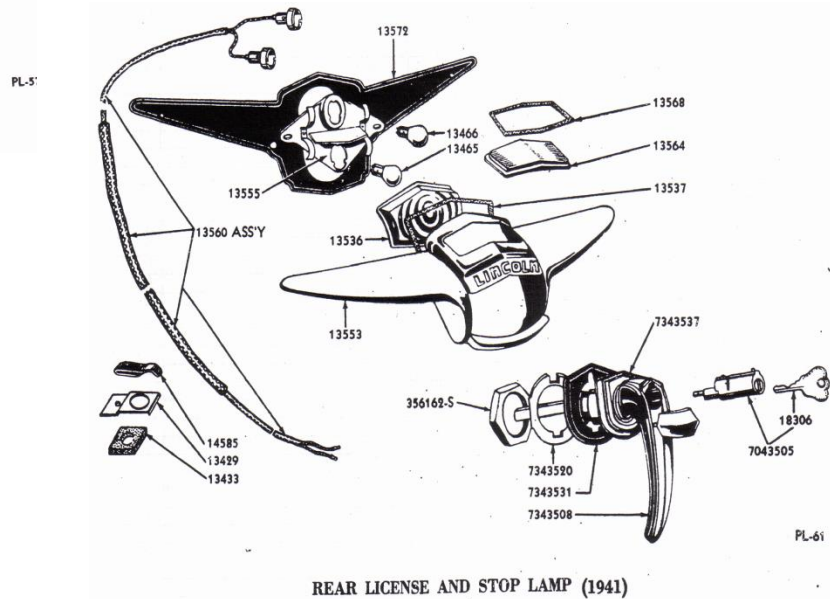
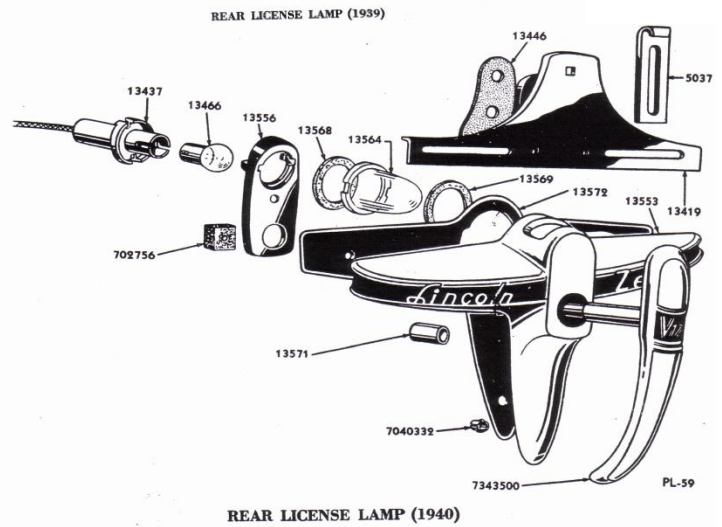
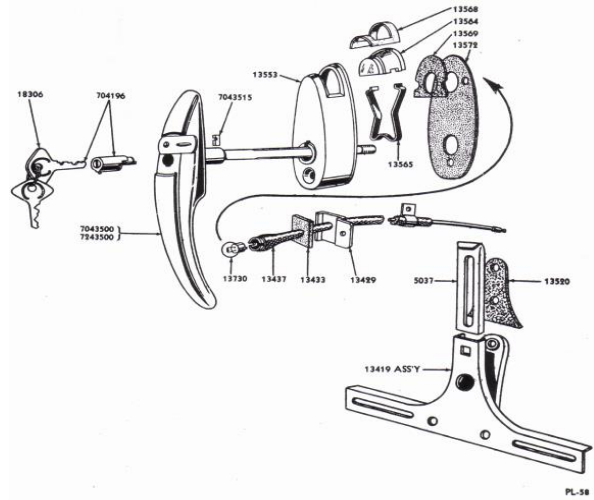
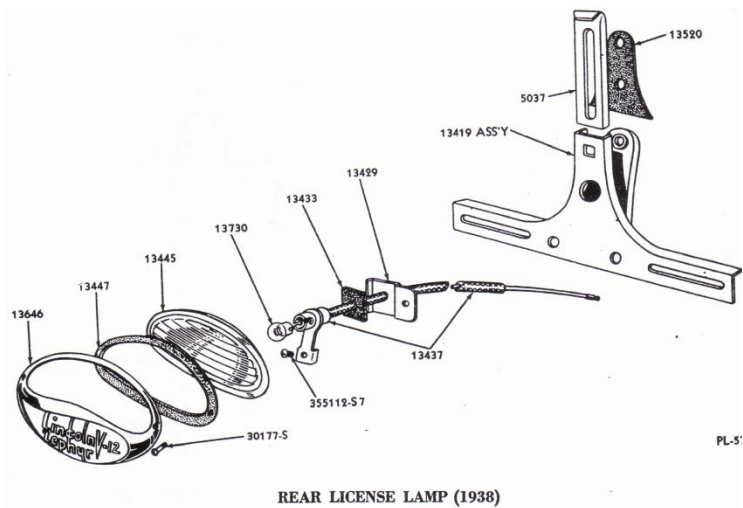


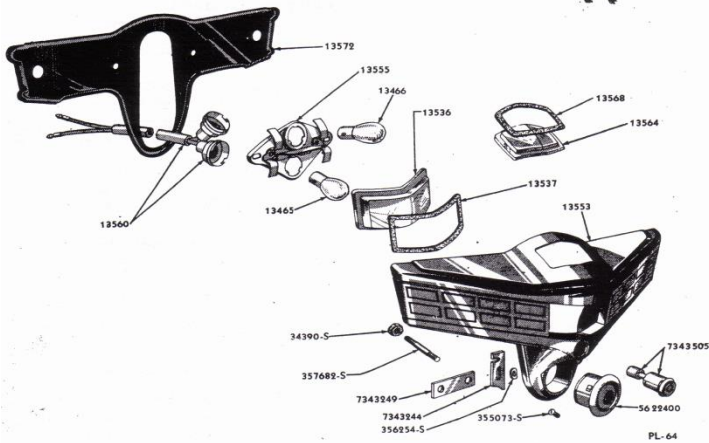
REAR LAMP (1942-48)

Part#	Year	Description	Price
13407/8	42-48	TL body used	\$45.00
	42-48	TL bkt wire grommet	\$6.00
13419	38-48	License bracket	\$125.00
13420	40-41	LC TL bezel	\$44.25
		pad/pr	
13420	41	Custom TL rim pad	\$47.25
13422	40	LC License bumper bkt	\$198.00
13422	41-48	LC license bumper bkt	\$145.00
13434/5	40-41	LC TL bucket ea.	\$225.00
13436/7	41	LZ TL shell outer used ea.	\$75.00
13440/1	41	LZ TL Bucket ea.	\$55.00
13440/1	41	Custom TL bucket ea.	\$125.00
13446	40-48	License bkt mount pad	\$22.95
13448/9	40	LZ Tail light bezel ea.	\$65.00
13448	40-41	LC Tail light bezel	\$125.00
13448	41	Custom TL bezel	\$275.00
13450	36-37	TL lens repro plastic	\$150.00
13450	38-39	TL Lens orig glass	\$145.00
13450/1	40-41	LZ TL Lens ea.	\$48.00
13450/1	40-41	LC TL lens glass ea.	\$135.00
13450/1	41	LC raised TL lens ea.	\$300.00
13450/1	41	Custom TL Lens ea.	\$175.00
13450	42-48	TL Lens	\$125.00
13450	42-48	TL lens plastic repro	\$87.50
13451	36-37	Reflector button repro	\$45.00
13452	40	License & cobra light upright late	\$85.00
	40	LC lic light assy	\$48.00
13452	41-48	LC Stop & Lic light upright & housing	Inquire
13460	38-39	TL lens cork gasket/pr	\$18.95
13461	36-37	TL Lens rubber gasket/pr	\$8.50
13461	42-48	TL Lens cork/pr	\$24.75
13465	36-48	TL bulb	\$3.95

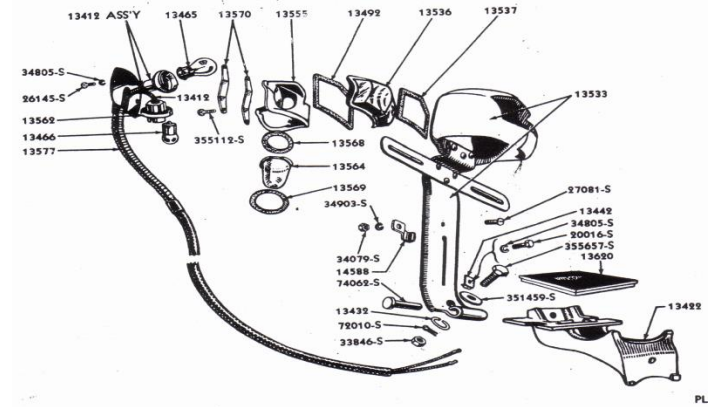
13470/1	36-37	TL stanchion ea.	\$125.00
13476/7	42-48	TL Side spear used	\$45.00
13480	39-48	Stop lamp switch	\$20.50
13520	40-41	LC TL lens cork/pr	\$24.95
13520	38-48	License bracket pad	\$22.95
13532	41-48	High-beam foot switch	\$26.50
13536	41-48	LC Stop lamp lens	\$275.00
13536R	41-48	LC Stop lens plastic	\$125.00
13536	42-48	LZ Stop lamp lens	\$45.00
13538-41	42-48	TL lens retainer ea.	\$20.00
13580	40-41	High-beam indicator socket	\$44.95
13586	40-41	High-beam indicator jewel chrome only	\$26.50

Rear License Lamp

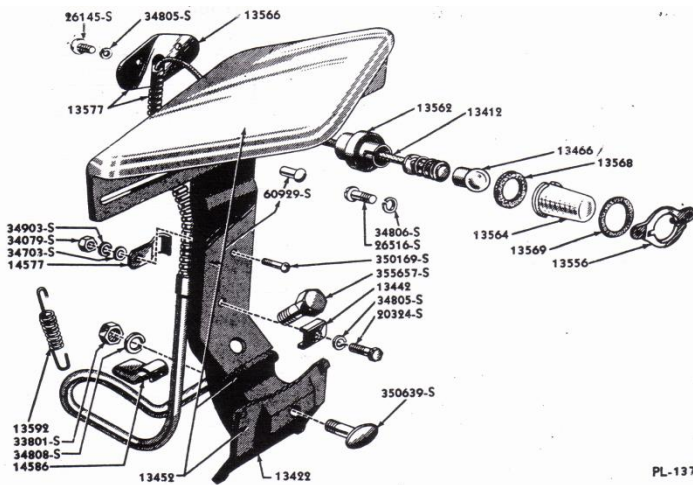




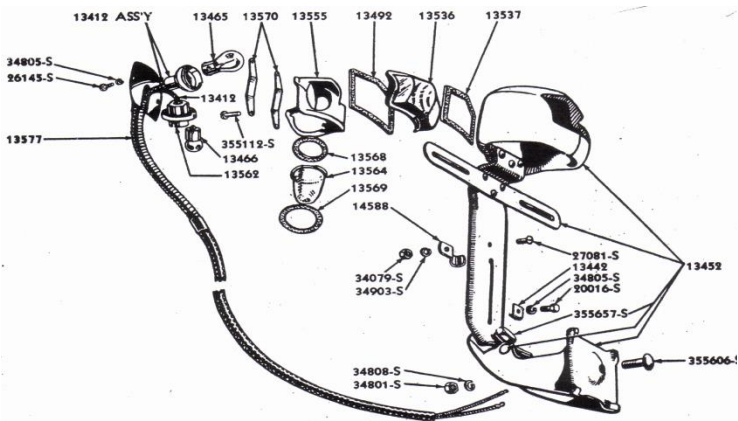
REAR LICENSE AND STOP LAMP (1946-48)



REAR LICENSE LAMP (1942-48 CONTINENTAL)



REAR LICENSE LAMP (1940 CONTINENTAL)



REAR LICENSE AND STOP LAMP (1941 CONTINENTAL)

Part#	Year	Description	Price
13445	38	License lamp lens repro	\$85.00
13646	38	License light bezel	Inquire
13553	39	Base – deck handle & license light housing	\$75.00
13564	39	License light lens	\$35.00
13565	39	Lens retainer spring	\$20.00
13553	40	Base – deck handle & license light	Inquire
13556	40	Lamp socket mounting plate	\$65.95
13564	40	LZ License lamp lens & 41-48 LC	\$8.95
13568/9	40	Gasket license lens	\$4.50
13572	40	Base mounting pad	\$45.50
13553	41	Stop & License light housing	Inquire
13555	41-48	Socket mounting plate LZ	\$35.00
13564	41-48	LZ License lens	\$30.00
13572	41	Housing mounting pad	\$44.25
14585	36-48	Wire clip	\$3.50
13412	41-48	Stop light socket	\$28.95
13442	41-48	License plate lower clamp	\$5.00
13562	41-48	License light socket	\$30.00
13570	41-48	Retainer socket plate	\$5.00
13577	41-48	LC stop light wire conduit	\$25.00

14588	41-48	Clip – conduit to bracket	\$3.00
13553	42	Stop & License light housing	Inquire
13572	42-48	Housing mounting pad	\$52.00
13553	46-48	Stop & license light housing	Inquire
22400	46-48	Button deck lock	\$150.00
355657-S	40-48	LC stoplight hinge bolt	\$22.95

Rear License Bracket

<i>Part#</i>	<i>Year</i>	<i>Description</i>	<i>Price</i>
13419	38-48	License support bracket	\$125.00
13520	38-48	License bracket pad	\$22.95

Rear Deck Lamp

<i>Part#</i>	<i>Year</i>	<i>Description</i>	<i>Price</i>
13752	40-48	LC trunk light switch	\$22.50
13770	36-48	Trunk light sw plate	\$10.00
13630	38-48	Trunk light socket	\$45.00

Instrument Lamp

<i>Part#</i>	<i>Year</i>	<i>Description</i>	<i>Price</i>
13710	36-48	Instrument socket	\$20.00
13740	36-48	Panel dimmer switch	\$39.95
	36-48	Light bulb	\$2.25

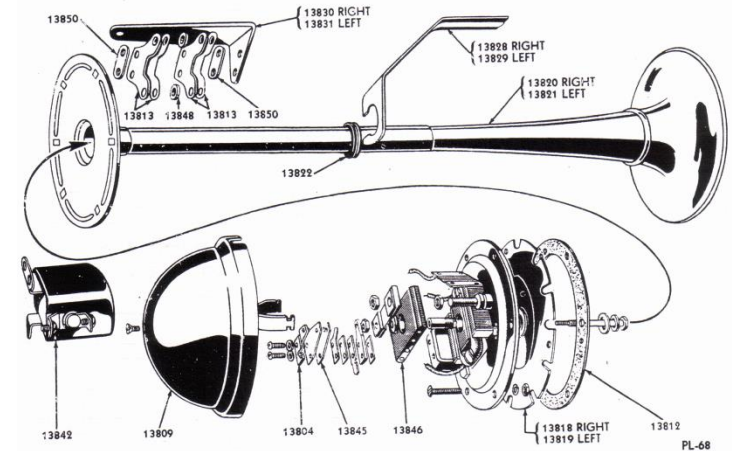
Dome Lamp

<i>Part#</i>	<i>Year</i>	<i>Description</i>	<i>Price</i>
13777	36-48	Dome lamp housing	\$50.00
13752		Dome lamp sw	\$22.50
		Sw escutcheon	\$10.00
13752		Door jamb sw	\$45.00
13783	36-48	Dome lamp lens	\$22.00
13784	36-48	Dome lamp lens retainer	\$8.95
	40-48	Dome lamp wood brace	\$20.00
	36-48	Doe light bulb	\$2.25

Floor Lamp

<i>Part#</i>	<i>Year</i>	<i>Description</i>	<i>Price</i>
13706	42-48	Courtesy lamp	\$35.00
13716	42-48	Courtesy lamp lens	\$14.95
	42-48	Bulb	\$2.25

Horns



See steering section for horn button etc.

<i>Part#</i>	<i>Year</i>	<i>Description</i>	<i>Price</i>
13801/2	47-48	Sea shell horn	\$130.00
13808	36-47	Horn screen ss	\$8.00
13813	36-47	Horn bracket spring	\$6.00
13820	36-47	Short trumpet only 16 1/2"	\$45.00
13821	36-47	Long trumpet only 18 1/2"	\$50.00
13822	36-47	Trumpet grommet pr	\$17.50
13830/1	36-47	Horn bracket L/R ea.	\$25.00
13832/3	36-47	Horn assy ea.	\$130.00
HRIVT	36-47	Horn assy rivet	\$1.50
13842	36-47	Horn relay replacement	\$22.00
13842	36-47	Horn relay orig	\$75.00
13848	36-47	Spacer	\$2.00
13850	36-47	Reinforcement	\$3.00

Clock

<i>Part#</i>	<i>Year</i>	<i>Description</i>	<i>Price</i>
15008	36-48	Clock set cable	\$35.00
15000	36-48	Clock	Inquire
17254	42-48	Bezel & glass only	\$75.00

Front Fender

Part#	Year	Description	Price
	36-48	5/16-24 cage nut	\$2.95
	36-48	Fender bolt	\$0.75
	36-48	Washer, bent tab ea.	\$2.95
16084	36-48	Welting set front and rear fenders	\$85.00
16038/9	39	Lower molding LZ	Inquire
16038/9	40	Lower molding LZ	Inquire
16038/9	40-41	Lower molding LC	Inquire
16038/9	42-48	Lower molding LC	Inquire
	39-48	Spring clip fastener	\$2.10
	30-38	Stud fastener lwr mldg	\$3.45
16047	36-48	Brace front	\$48.95
16048	36-48	Brace rear	\$48.95
16006	40-41	LC LH Fender	Inquire
16005	40-41	LC RH Fender	Inquire

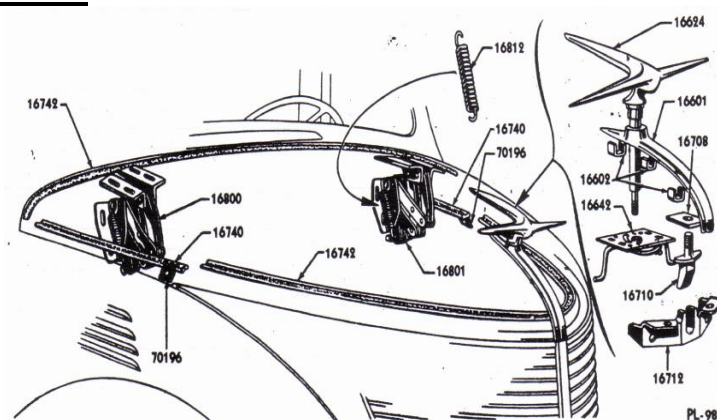
Rear Fender Cover Plate (skirt)

Part#	Year	Description	Price
16270	36-41	Skirt tab fender grommet	\$19.95
16274	36-41	Skirt lock tab grommet	\$32.95
16272	36-41	Skirt tab 3pc set	\$54.00
16292	36-41	Skirt welting w/rivets 64803-s	\$52.95
16292	42-48	Skirt seal	\$52.95
16250/1	36-37	Skirt	Inquire
16280/1	36-37	Skirt trim	Inquire
16250/1	38-39	Skirt	Inquire
16250/1	40-41	LZ Skirt	Inquire
16280/1	40-41	LZ Skirt trim	\$195.00
16250/1	40-41	LC Skirt NOS ea.	\$650.00
16280/1	40-41	LC Skirt trim	\$245.00
16250/1	42-48	Skirt	Inquire
16280/1	42-48	Skirt trim	\$225.00
	36-48	Skirt trim fastener stud	\$3.45
	36-48	Skirt trim fastener sprg	\$2.10
16284/5	36-39	Skirt lock L or R	\$125.00
16284/5	40-41	Skirt lock L or R	\$125.00
16286/7	36-39	Skirt lock operating stud stainless L or R	\$57.95
16286/7	40-41	Skirt lock operating stud stainless L or R	\$56.95

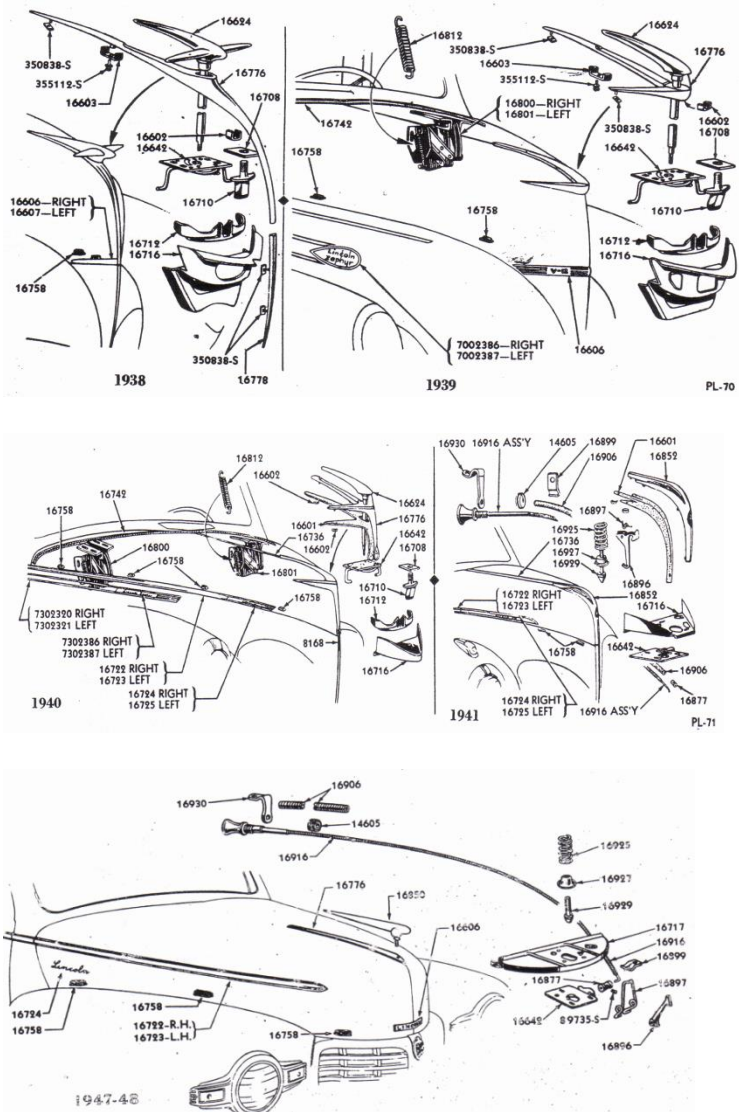
Rear Fender

Part#	Year	Description	Price
16346	36-48	Welting set front and rear fenders	\$85.00
16370	40-41	Fuel door	\$55.00
16370	42-48	Fuel door	\$55.00
16377	40-48	Fuel door spring	\$16.75
16378	40-48	Bumper fuel door/pr	\$10.95
16382/3	39	Lower short curved mldg L or R 4dr	\$100.00
16382/3	40-41	LC lower short curved mldg L or R	Inquire
16382/3	42-48	LC lower short curved mldg L or R	Inquire
16398/9	42-48	Lwr trim post skirt L or R	\$90.00
16422/3	36-37	Inner splash shield	Inquire
16422/3	38-38	Inner splash shield	Inquire
16421/2	40-41	Inner splash shield	\$150.00
16421/2	42-48	Inner splash shield	\$150.00
16430	42-48	Inner splash shield seal RH only	\$21.95
16349/0	40-41	Gravel guard pr	\$149.00
16349/0	42-48	Gravel guard pr	\$235.00
33798	36-48	Cage nut 5/16-24	\$2.95
	36-48	Fender bolt	\$0.75
	36-48	Washer, bent tab ea.	\$2.95

Hood



HOOD (1936)



Part#	Year	Description	Price
16601-B	40-41	Hood base pad LC	\$18.95
	42-48	Hood base pad LC/LZ	\$18.95
16606	39	Emblem hood nose	\$299.00
16606	42-48	Hood name plate	\$95.00
16607	46-48	Emblem/crest	\$300.00
16610-B	41	Hood – continental	\$950.00
16624	38	Hood orn handle	\$325.00
16624	39	Hood orn handle	\$275.00
16624-A	40	Hood orn handle	\$250.00
16624-B	40	Hood orn handle LC	\$425.00
16624	41	Hood ornament LC	\$395.00
16624	46	Hood ornament	\$325.00
16624	47-48	Hood ornament	\$395.00

16642	36-40	Hood catch	\$99.00
16642	41-48	Hood catch	\$85.00
16712	40	Hood catch bracket	\$99.00
16714	46-47	Hood side trim	\$50.00
16716	41	Hood catch support	\$175.00
16722/3	40-48	Hood side mldg	Inquire
16724/5	40-41	Hood side mldg	Inquire
16724	46	Hood side nameplate	\$95.00
16724	47-48	LZ Hood side script	\$76.95
5602386	41-48	LC hood side script	\$76.95
16736	40-41	Hood center mldg	\$145.00
16742	36-48	Cowl lace kit	\$25.95
16758	38-48	Hood bumper rectangular	\$6.95
7321120	42-48	Hood bumper round	\$5.95
16776	39	Hood orn base	\$300.00
16776	40	Hood orn base LZ	\$375.00
16776	40-41	Hood orn base LC	\$465.00
	40	LC Hood base medallion	\$99.00
16776	42-48	Hood orn base	Inquire
16778	38	Center grille casting	\$125.00
16800/1	36-48	Hood hinge assy ea.	\$125.00
16812	40-41	Hood hinge spring LC	\$39.95
16812	42-48	Hood hinge spring	\$46.95
16877	41-48	Hood cable end clamp	\$9.00
16892	40	LC hood safety catch	\$150.00
16896	41	Hood safety catch	\$95.00
16896	42-48	Hood safety catch	\$75.00
16916	41-48	Hood release cable	\$46.95
16925	41-48	Hood lock spring	\$20.00
16927	41-48	Hood lock spring guide	\$20.00
16929	41-48	Hood lock dowel	\$35.00
16930	41-48	Hood release bracket	\$25.00
14605	41-48	Cable firewall grommet	\$6.75

Tools

<i>Part#</i>	<i>Year</i>	<i>Description</i>	<i>Price</i>
17005	36-48	Tool Bag	\$28.00
17015	36-48	Wrench open end small	\$22.00
17016	36-48	Wrench open end large	\$22.00
17017	36-48	Wrench spark plug & head	\$39.00
17020	36-48	Screw driver	\$49.00
17025	36-48	Pliers	\$29.00
17035	36-48	Lug wrench	\$50.00
17080	38-42	Jack assy	Inquire
17080	46-48	Jack assy	Inquire
17081	36-42	Iron & jack handle	Inquire
BAG	40-48	Jack bag, canvas	\$35.00

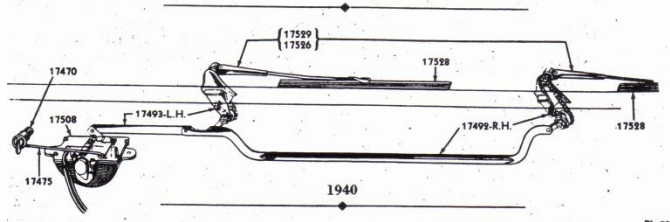
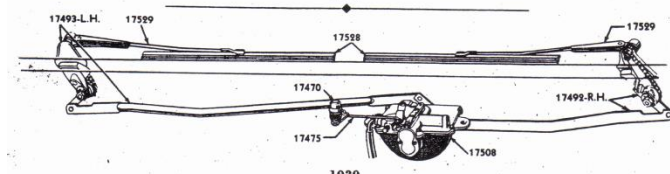
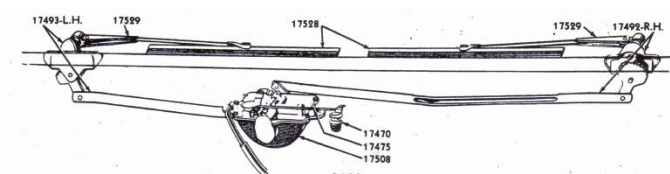
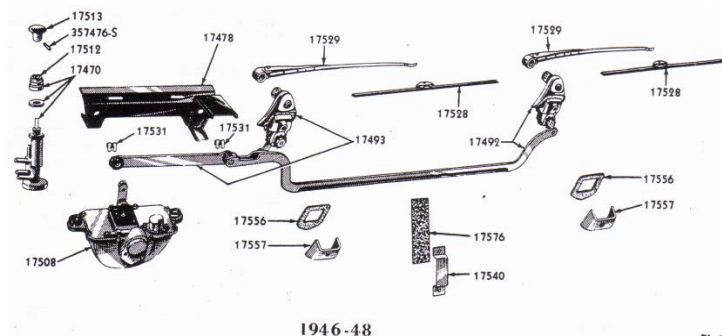
Speedometer

<i>Part#</i>	<i>Year</i>	<i>Description</i>	<i>Price</i>
17260	36	Cable - std axle 106"	\$129.95
17260	37-39	Cable - Columbia 165" rear axle take off	\$179.95
17260	38-39	Cable - std axle 102"	\$129.95
17260	39	Cable adpt to speed 23"	\$63.95
17260	39	Cable torque tube take off 63"	\$99.95
17260	40-41	Cable std axle 80"	\$105.95
17260	40-41	LZ Cable Columbia adpt to speed 27"	\$64.95
17260	40-41	Cable Columbia torque tube take off 52"	\$99.95
17260	40	LC cable 86"	\$109.95
17260	40-41	LC cable Columbia adpt to speed 31"	\$64.95
17260	41-48	LC cable w/OD 95"	\$115.95
17260	42-48	Cable non OD 83"	\$105.95
17260	42-48	Cable w/OD 89"	\$109.95
10863	39-41	Speedo lens	\$45.00
10863	40-41	LC Speedo lens	\$45.00
	39	Bezel	Inquire
17255	40-41	LC Speedo assy	\$525.00

	41	LZ Speedo indicator disc	\$32.00
17255	42-48	Speedo assy	\$175.00
17254	42-48	Bezel & lens	\$75.00
	40-41	LC Speedo light socket clip	\$10.00
17285	38-48	Speedo drive gear	\$45.00
17270	36-48	Speedo gear & cap	\$45.00
17275	36-48	Gear cap gasket	\$1.75
17286		Locking ring	\$2.95
17290	36-37	Driving gear thrust washer	\$3.25
	36-48	Cable firewall grommet	\$5.95
	41	Speedo indicator pointer/disc	\$45.00

Windshield Wiper

Wiper blades for LC Cabriolets were 8 1/4"
Wiper blades for LC Coupes and all LZs are 9"



35

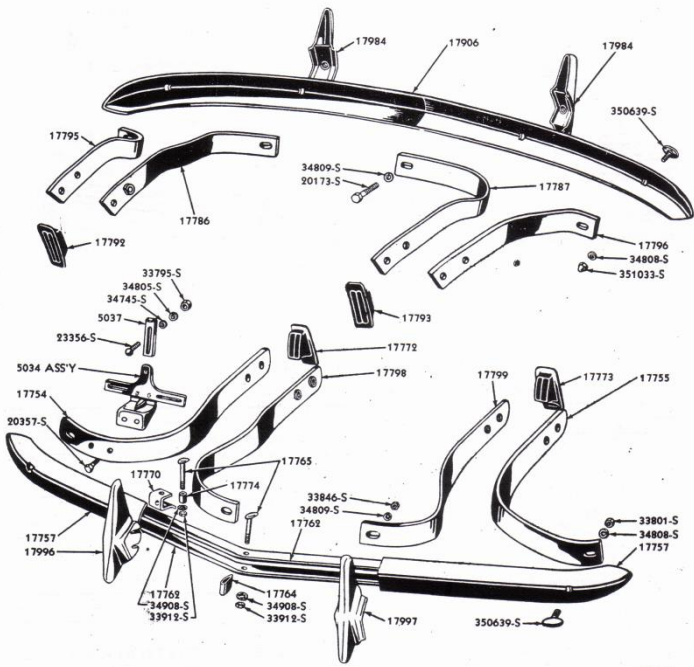
Part#	Year	Description	Price
17450	36-39	Plate & spring assy	\$6.95
17470	36-39	Wiper control sw	Inquire
17470	40-41	LC Wiper control switch	\$125.00
17470	42-48	Wiper control valve 3 port	\$45.00
17470	42-48	LC Wiper switch 4 port	*\$135.00
	42-48	LC Wiper control switch repair kit	\$49.95
17475	36-41	Wiper control rod	\$15.00
17476	36-41	Control rod small grommets	\$8.00/pr
17477	36-41	Wiper control arm grommet pr	\$10.95
17481	36-40	Wiper arm nut stainless	\$15.75
17492/3	37-38	Wiper tower & arm	Inquire
17492/3	39	Wiper tower & arm	\$175.00
17492/3	40	Wiper tower & arm	\$175.00
17492/3	41-48	Wiper tower & arm	\$175.00
17492/3	40	LC Wiper tower & arm	\$295.00
17492/3	41-48	LC Wiper tower & arm	\$275.00
WWLNK	40-48	LC WW Linkage set	\$65.00
WSCOG	39-48	Tower repair cog	\$49.95
17500	36-38	Tower retainer clamp	\$25.00
17508	36-48	Rebuilt WW motor	*\$145.00
WWKIT	36-48	WW Motor rebuild kit	\$45.95
17512	42-48	Wiper control nut	\$35.00
17528	36-42	Wiper blade	\$11.75
17528	46-48	Wiper blade	\$40.00
17529	36	Wiper arm	\$26.00
17529	37-39	Wiper arm	\$26.00
17529	40	Wiper arm	\$26.00
17529	41-42	LC Wiper arm	\$32.00
17529	41-42	LZ wiper arm	\$22.00
17529	46-48	Wiper arm	\$40.00
17531	40-48	Retainer clip	\$5.00

17540/76	40-48	Link clip & anti-rattle	\$10.00
17556	40-48	WW tower cowl seal/pr	\$28.50
17557	40-48	Clamp – tower cowl	\$15.00
17557	40-48	LC tower cowl clamp	\$26.00
17604	46-48	Washer control button	\$45.00
17606	47-48	Washer jar bracket	\$45.00
	46-48	Washer nozzle	\$25.00
	42-48	Vac tank check valve	\$45.00
	46-48	Washer decal	\$12.00

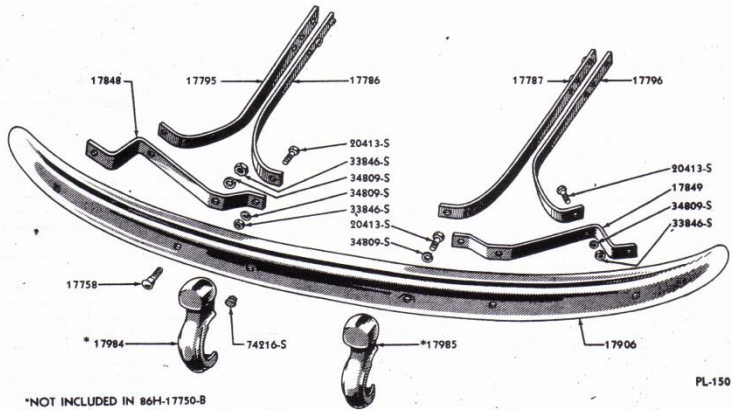
Rear View Mirror

Part#	Year	Description	Price
17700	36-39	Rear view mirror arm	\$45.00
17700	36-39	Rear view mirror	\$75.00
17700	40-48	LC Rear view mirror arm casting	\$75.00
17700	40-48	Rear view mirror head	\$75.00
17700	40-48	LZ Rear view mirror arm chrome	\$55.00
18403	36-39	Side view mirror L or R	\$75.00
18403	40-48	LZ / LC side view mirror L or R	Inquire

Bumpers



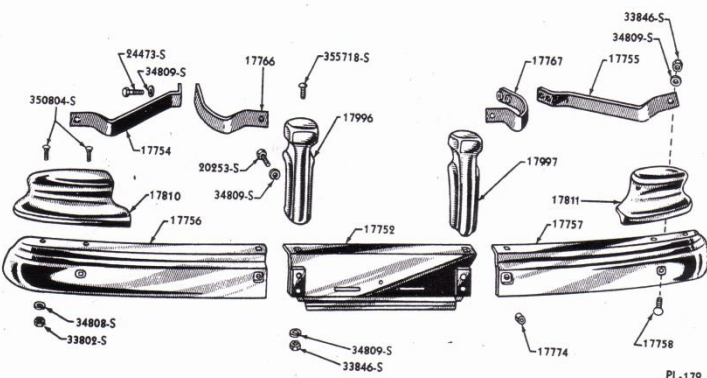
PL-75



*NOT INCLUDED IN 86H-17750-B

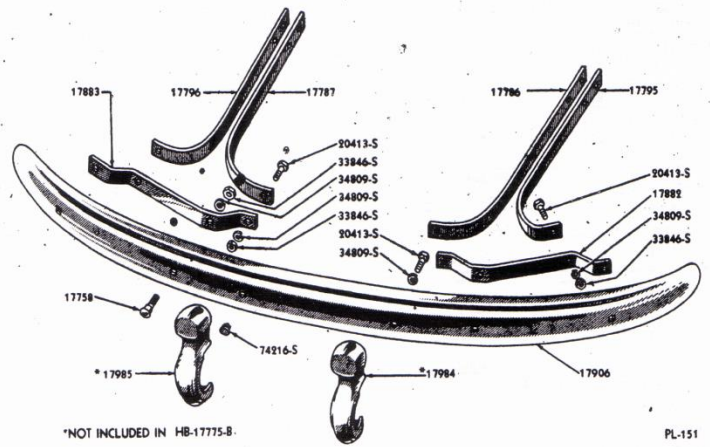
FRONT BUMPER KIT (86H-17750-B)

PL-150



PL-179

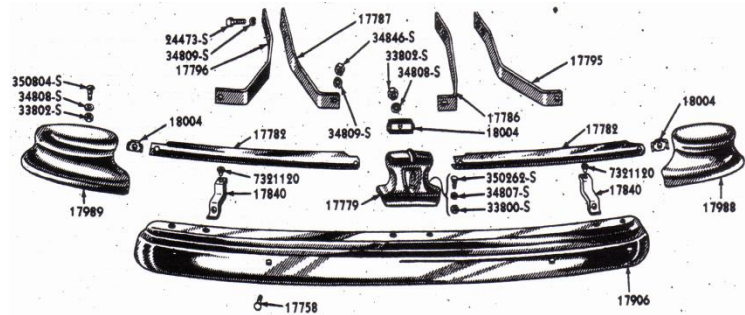
FRONT BUMPER (5EH-17748)



*NOT INCLUDED IN HB-17775-B

PL-151

REAR BUMPER KIT (HB-17775-B)



PL-77

REAR BUMPER (5EH-17778-A)

Part#	Year	Description	Price
17765	41	Center bumper bolt	\$48.00
17765	39-40	Center bumper bolt	\$39.95
350639S	36-40	Face bar bolt in SS	\$38.95
17764	39-40	Center spacer	\$45.00
17764	41	Center spacer	\$95.00
17752	42-48	Bumper center	\$250.00
	42-48	Bumper center rubber bumper	\$5.00
17772/3	36-41	Front bumper bkt grommet/pr	\$56.00
17754/5	36-37	Front bumper bkt outer	\$55.00
17754/5	38	Front bumper bkt outer	\$55.00
17754/5	39-41	Front bumper bkt outer	\$55.00

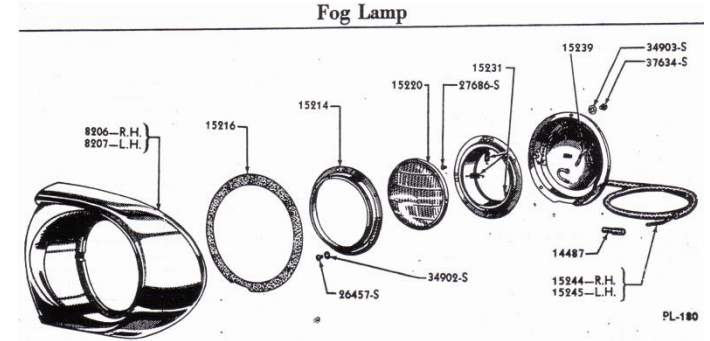
17754/5	42-48	Front bumper bkt outer	\$55.00
17756/7	41	Front bumper face bar LorR	\$225.00
17756/7	42	Front bumper face bar LorR	\$250.00
17756/7	46-48	Front bumper face bar LorR	\$225.00
17757	39-40	Front bumper face bar L or R	\$225.00
355606	41	Face bar oval bolt	\$17.95
351033	37	Acorn nut SS	\$9.50
17758	42-48	Front/rear face bar bolt	\$15.95
17762	39-40	Center horizontal bar	\$200.00
17762	41	Center horizontal bar	\$225.00
17766/7	42-48	Front bumper bkt inner	\$55.00
17770/1	39-41	Center bar end spacer LorR	\$48.00
17774	39-41	End spacer bolt spacer	\$3.00
17786/7	38	Rear bumper bkt inner	\$55.00
17786/7	39-41	Rear bumper bkt inner	\$55.00
17795/6	36-37	Rear bumper bkt outer	\$55.00
17795/6	38	Rear bumper bkt outer	\$55.00
17795/6	39-41	Rear bumper bkt outer	\$55.00
17795/6	42-48	Rear bumper bkt outer	\$55.00
17798/9	36-37	Front bumper bkt inner	\$55.00
17810/1	46-48	Front bumper wing L/R	\$95.00
17996/7	36-37	Front/rear bumper guard	\$175.00
17996/7	38	Front/rear bumper guard	\$185.00
17996/7	39	Front bumper guard	\$235.00
17996/7	40	Front bumper guard	\$235.00
17996/7	41	Front bumper guard	\$235.00
17996/7	42	Front bumper guard	Inquire
17996/7	46-48	Front bumper guard	\$95.00
17777	42-48	Rear stone deflector	Inquire
17779	46-48	Rear center guard	\$125.00
17782	46-48	Rail rear bumper guard tie	\$98.00
17792/3	36-41	Rear bumper bkt grommet/pr	\$56.00
17840	42-48	Stone deflector bkt	\$15.00
17816	40-41	Stone deflector rubber bumpers 7 pcs	\$16.95
17906	39	Rear bumper face bar	Inquire

17906	40	Rear bumper face bar	Inquire
17906	46-48	Rear bumper face bar	Inquire
17984	39	Rear bumper guard	\$235.00
17984	40	Rear bumper guard	\$235.00
17984	41	Rear bumper guard	\$235.00
17984/5	42	Rear bumper guard	\$375.00
17984/5	46-48	Rear bumper guard	\$135.00
17988/9	46-48	Rear bumper wing	\$95.00
18004	46-48	Tie rail clamp	\$8.00
	39	Center guard accy	\$250.00
	40	Center guard accy	\$250.00
	41	Center guard accy	\$250.00
	40	Center guard bkt	\$45.00

Shock Absorber

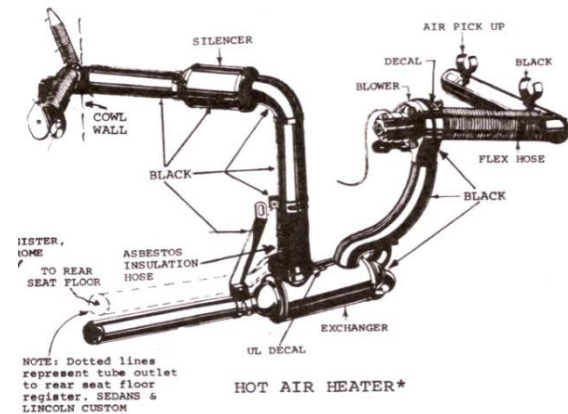
Part#	Year	Description	Price
18045/6	36-40	Rblt Shock L/R Front	*\$252.00
18045/6	41	Rblt Shock L/R Front	*\$252.00
18045/6	42-48	Rblt Shock L/R Front	*\$252.00
18055	36-48	Shock link	\$32.50
18055	36-48	Shock link opposing studs	\$49.95
	36-48	Shock link castle nut	\$6.95
	36-48	Shock mounting bolt	\$15.25
18080	36-40	Rblt shock L/R Rear	*\$252.00
18080	41	Rblt Shock L/R Rear	*\$252.00
18080	42-48	Rblt Shock L/R Rear	*\$252.00

Fog Lamp

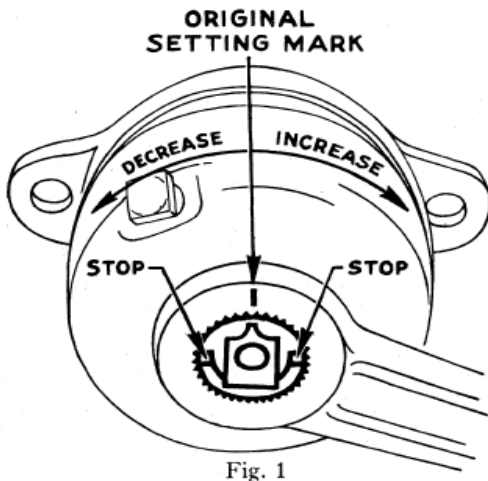


Part#	Year	Description	Price
15200	46-48	Fog lamp amber	\$41.50
15200	46-48	Fog lamp clear	\$32.00
15214	46-48	Rim	\$35.00
15224	46-48	Fog light switch	\$45.00
15231	46-48	Spring - adapter ring	\$7.00
8206/7	46-48	Fog light bezel L/R	\$255.00
BCKT	46-48	Fog light bucket	\$50.00
	46-48	Adapter ring	\$35.00

Hot Air Heater

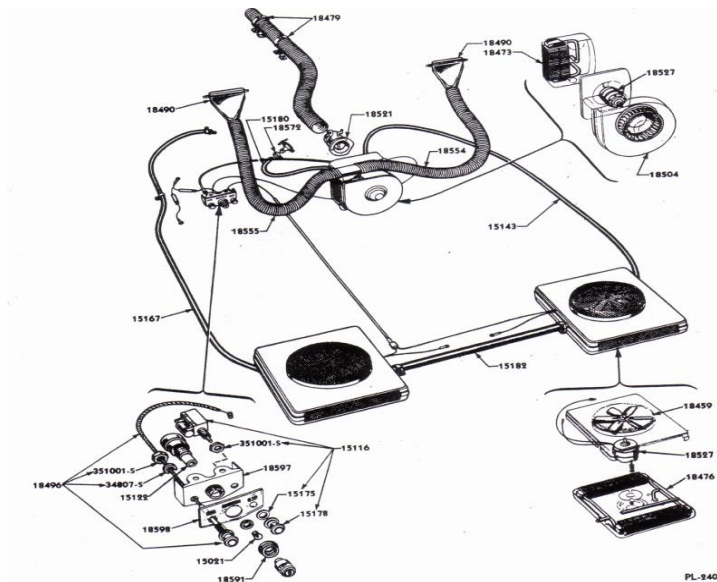


Part#	Year	Description	Price
18532	37-48	Asbestos sleeve	\$35.00
	37-48	Asbestos sleeve clamp	\$15.75
18557	37-48	Radiator pick up hose clamps set	\$45.00
	37-48	Flex hose	\$36.00
	37-48	Flex hose clamp	\$16.75

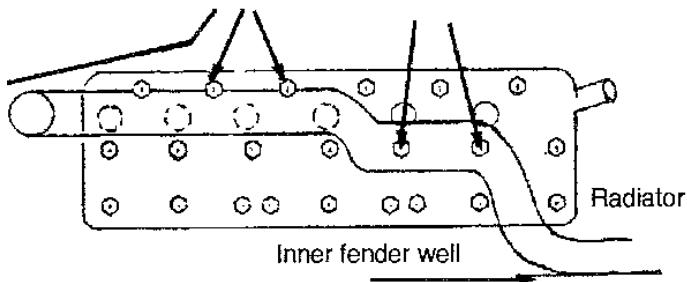


18497	40-41	Interior diffuser	\$115.00
	40-41	Silencer	\$145.00
18527	36-41	Hot air blower motor	\$150.00
	36-41	Blower decal	\$12.00
	36-41	Batt tray pipe clamp	\$45.00
15118	36-41	Control cable	\$35.00
	36-41	Blower switch	\$48.00
	40-41	Blower sw knob	see plastic
	40-41	Cowl valve	\$150.00

Hot Water Heater



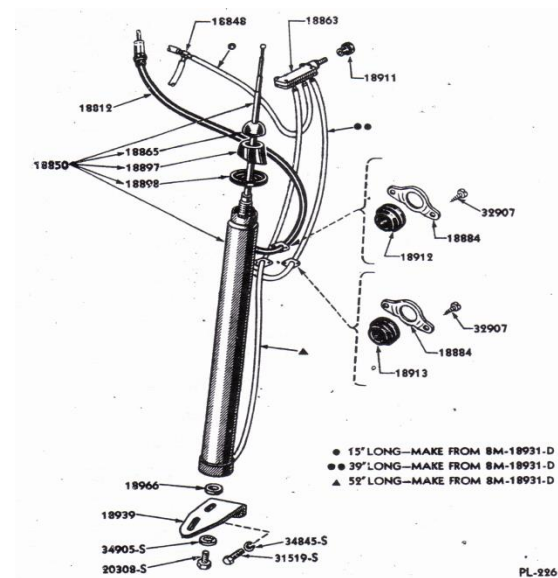
Fresh air hose brackets - painted black



Part#	Year	Description	Price
	40-48	Hot water heater unit under dash	Inquire
18479	46-48	Fresh air hose head bracket	\$24.00
18597	42-48	Heater control bracket	\$45.00

18496	42-48	Defroster control cable	\$35.95
18481	42-48	Water hose clamp	\$3.50
18490	40-48	Defroster nozzle	\$75.00
18598	42-48	Control plastic trim plate	\$47.00
15122	42-48	Heater switch w/knob	\$75.00
18521	42-48	Cowl air valve	\$75.00
15116	42-48	Defroster switch	\$35.95
18591	42-48	Blower sw bezel	\$35.00
15175	42-48	Defroster sw bezel	\$20.00
18554	42-48	Defroster hose ea.	\$32.00
18557	42-48	Fresh air hose	\$118.00
	42-48	Fresh air hose clamp	\$16.95
18495	42-48	Water valve	\$25.95
	42-48	Under seat heater	\$75.00

Radio



Part#	Year	Description	Price
18897	40-41	Antenna base	\$86.50
18897	42-48	Antenna base	\$27.95
18850	46-48	Antenna vacuum	Inquire
	46-48	Replacement mast	\$29.95
	40-41	Replacement antenna with slight modification	\$125.00
18865	40-41	Antenna nut specify yr	\$45.00
18865	46-48	Antenna nut (early or late)	\$48.00

18898	40-48	Antenna base pad	\$13.95
18884	46-48	Antenna lead seal plate	\$15.00
18939	42-48	Lower support bracket	\$22.75
18863	46-48	Antenna vacuum switch	\$55.00
RADIO	38-48	Rebuilt radio	Inquire
18934	41-48	Foot control switch	\$55.00
	36-48	Radio noise suppressor	\$29.95
	38-48	Bracket – noise suppressor temp unit	\$10.00
	36-48	Radio Manual	\$12.50
	40-41	Antenna lead	\$38.00
	42-48	Antenna lead	\$45.95
	40-41	Inner fender lower antenna shield	\$40.00

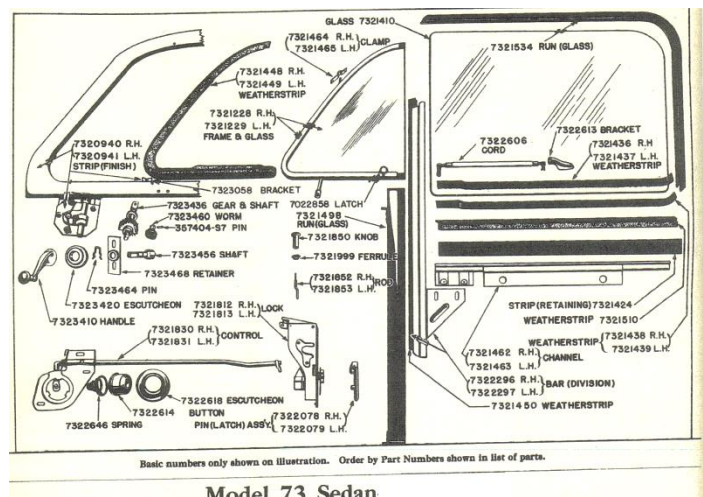
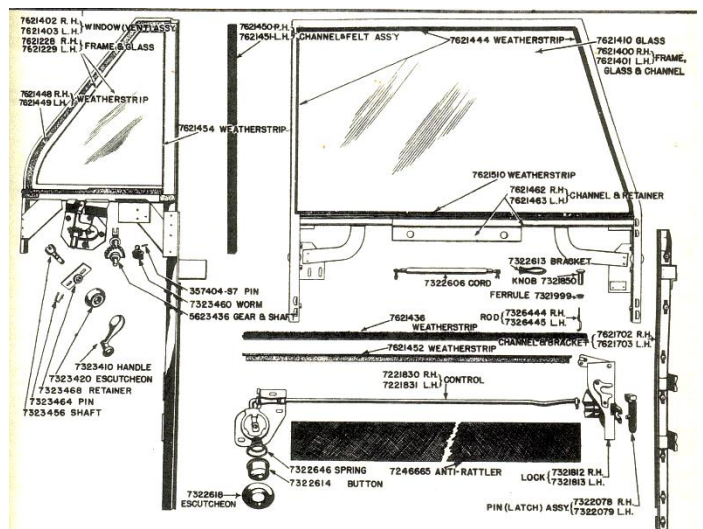
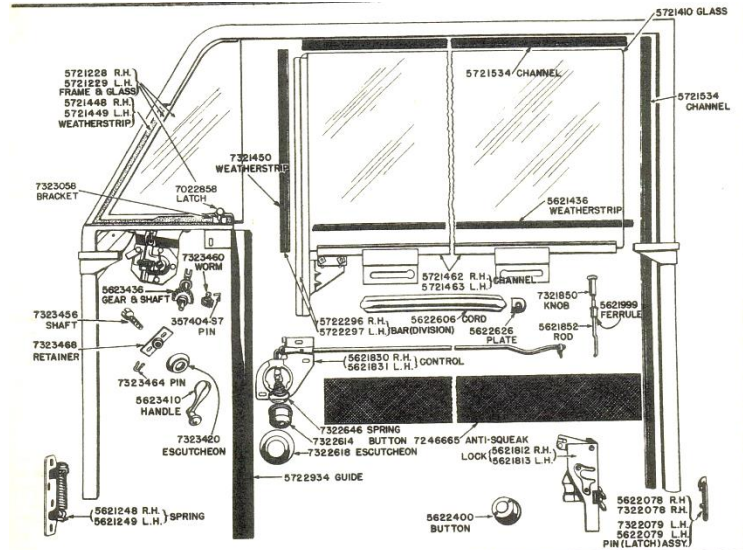
BODY PARTS

Deck (Rear) and Luggage Compartment

Part#	Year	Description	Price
44200	40-48	LC trunk lid support/pr	\$95.00
42700	40-48	LC Trunk hinge L/R	\$245.00
44470	40-48	LC Trunk latch L/R	\$250.00
	40-48	LC Trunk catch L/R	\$65.00
42770	40-48	LC hinge, latch, catch cork pads set	\$22.95
	40-48	LC Trunk lock latch repro	\$295.00
	40-48	LC Trunk lock cylinder	\$195.00
77352	40-48	LC trunk lock cyl pad	\$9.95
	36-39	LZ Trunk seal	\$67.95
HURD	36-48	Trunk key blank	\$16.95
	40-48	LZ Trunk seal	\$54.95
43724	40-48	LC Trunk seal	\$49.95
	42-48	Rear deck medallion base	\$65.00
	46-48	Rear deck medallion	Inquire
	46-48	Medallion mount pad	\$23.50
	36-41	Trunk handle	Inquire
	40-48	LZ Trunk hinge pads	\$38.95
	41	LZ Trunk handle pad	\$15.95
	39	Rear deck script	\$98.00
	40-48	LZ trunk hinge coil spring	\$24.50
	38-48	Trunk light switch	\$22.50

Doors

Door parts represent the largest percentage of items sold. There are many items not listed below and of those listed, applications will vary. Please inquire with your specific needs. We carry all channel and window surround felt for all years 1936-48.



Model 73 Sedan

Part#	Year	Description	Price
20120	40-48	LC door body	\$400.00
23500	40-48	Door check rod assy	\$39.95
	40-48	Door check bumper	\$8.75
24130/1	41-48	LC door arm rest brkt	\$20.00
23030	40-48	LC door bottom bumper	\$14.95/pr
	40-48	LC door bottom bumper retainer	\$25.00
22614	41-48	Door interior opener push button	See Plastic
	36-37	Ext door handle	Inquire
	38	Ext door handle	\$125.00
	39	Ext door handle	\$135.00
	40	Ext door handle	\$145.00
22400	41-48	Door outside opener push button	\$150.00
	36	Door opener handle	\$26.00
	37-38	Door opener handle	\$145.00
	39-40	Door opener handle	\$85.00
	39-40	Handle escutcheon (metal disc only)	\$24.50
20974/5 20972/3	40-48	Door top stainless end cap F or R	\$20.00
21534	40-48	LC Cpe door window frame channel 2 pc	\$54.95
21534	40-48	LZ curved door channel ss bead ea.	\$58.95
21444	40-48	LC CV door window frame rubber setting channel/side	\$44.00
21984	40-48	Door lock cylinder	\$95.00
	36-48	Door lock cyl gasket	\$4.95
HURD	36-48	Door lock key blank	\$15.95
22618	41-48	Escutcheon – door push button metal only	\$45.00
22620	40	Door or Window escutcheon base metal	\$25.95
21999	40-48	Door lock knob ferrule	\$12.75
21228	40-48	Vent window frame	Inquire
23436	41-48	Vent window gear	\$39.95

	41-48	Vent window gear shaft	\$35.00
	36	Door window regulator handle	\$26.00
	37-38	Door window regulator handle	\$98.00
	40-48	Window frame roller single or dbl ea.	\$27.95
23342	39-41	Door window regulator handle	\$85.00.
23410	41-48	Vent window handle chrome/gold	\$95./\$125.
	36-41	LZ door window frame fuzzies inner & outer	\$89.50
22800/1	40-48	LC upper door hinge	\$295.00
22810/1	40-48	LC lower door hinge	\$295.00
PIN	40-48	Door hinge pin	\$8.75
	40-48	Door hinge screw SS	\$15.95
21812/3	41-48	Door latch/lock assy	\$125.00
29039	40-41	Lower rocker mldg	Inquire
29039	42-48	Lower rocker mldg	Inquire
	40-48	Lower mldg spring clip	\$2.10
	40-48	Lower mldg short stud clip	\$3.95
	40-48	Lower mldg long stud clip	\$4.99
10131	40-48	LC Rocker panel set inner/outer L&R	Inquire
702790	36-48	Pin handle to shaft	\$1.25
22626	41-48	Plate – door pull att.	\$25.00
	41-48	Screw kit for above	\$10.75
13202/3	40-48	LC door sill plates pr	\$365.00
	36-48	LZ Door sill plates	\$325/\$425
	40-48	LC Door sill screw set	\$6.95
24140/1	41-48	LC door arm rest	\$75.00
23468	41-48	Vent window regulator shaft retainer	\$25.00
21852	40-48	Door lock rod	\$20.00
	36-39	Lower door seal	\$38.95
20706	40-48	Lower door seal/pr	\$52.95

23456	41-48	Vent window shaft ext.	\$35.00
21248	41-48	Door opener spring	\$47.95
21248	41-48	Door opener assy	*\$125.00
22646	41-48	Spring door push button	\$17.95
RGLATR	36-42	Window regulator	Inquire
21452/36	40-48	Door belt weather-strip (fuzzies) set of 4 w/screws	\$64.95
	40-48	Inner door rubber window sweep seal/pr	\$22.95
20460	40-41	Door hinge pillar weather-strip upper/pr	\$10.75
VERTLC	40-48	LC Door vertical seals	\$41.95
VERT	36-48	LZ Door seal	\$3.95/ft
21448/9	40-48	Vent window seals/pr conv only	\$215.00
	40-48	LC Coupe VW seals/pr	\$298.95
	36-41	LZ Hinge pillar formed seal/pr	\$45.95
21450	40-48	Door vent wdw division bar "L" seal/pr	\$39.95
21450	40-48	Division bar channel ss bead 16"/pr	\$52.95
21450	40-48	Division bar channel ss bead 36"/pr	\$69.95
23460	41-48	Vent window gear	\$38.00
22078/9	40	Striker	Inquire
	36-48	LZ Door jamb bumper set(4)	\$21.00
22078/9	41-48	Striker	\$55.00
	41-48	Striker brass slide	\$35.00
23200	46-48	Regulator – less cylinder	\$125.00
CYLDR	46-48	Hydraulic window lift cylinder	\$169.95
CYLCLP	46-48	Hydraulic cyl retainer clip	\$14.95
SPRING	46-48	Regulator rtn spring	\$42.00
7324294	46-48	Hyd. Hose - door	\$39.95
5624279	46-48	Hyd. Hose - pump	\$41.95
7324258	46-48	Spring – hose cover	\$16.95

7324289	46-48	Spring clamp	\$5.00
7324206	46-48	Window sw rebuilt	\$98.00
7324235	46	Plate double	\$25.00
7324207	46	Plate single	\$20.00
7324232	47-48	Escutcheon plate double	\$45.00
7324230	47-48	Escutcheon plate single	\$35.00
7324208	46-48	Hydraulic pump	*\$699.00
7353376	46-48	Reservoir	\$49.00
7353378	46-48	Bail retainer	\$20.00
7353374	46-48	Reservoir gasket	\$16.95
	46-48	Reservoir fill gasket	\$8.50
7353380	46-48	Solenoid	\$49.95
7353382	46-48	Pump mounts 3	\$25.95
14519	46-48	Ground strap	\$18.75
	40-48	Door top stainless end trim set 4 pc	\$80.00
	38-40	Door latch handle return spring	\$10.50
	36-48	Door panel handle backing spring	\$4.50
CHNL	36-48	Channel liner	\$5.25/ft
21830/1	41-48	Door opener torsion linkage	LC\$75.00 LZ\$50.00
	40-41	LC Regulator spring	\$18.95

Floor

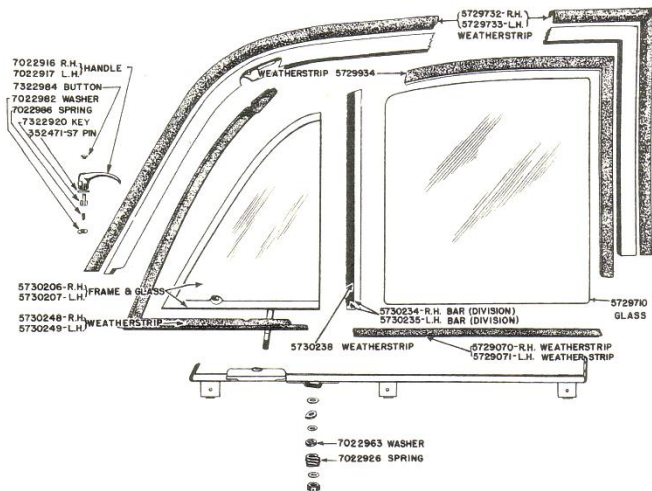
<i>Part#</i>	<i>Year</i>	<i>Description</i>	<i>Price</i>
	40-48	LC door post aluminum foot F or R	\$145.00
	36-48	Trans flr cover gasket	\$48.50
	39-48	Master cyl floor cover	\$26.95
	40-48	Dimmer rubber grommet	\$22.95
	40-48	Dimmer /Radio control metal carpet grommet	\$25.50
HEEL	36-48	Heel pad - black only	\$48.95

Front

<i>Part#</i>	<i>Year</i>	<i>Description</i>	<i>Price</i>
	38-39	Center console shift grommet	\$98.95
	42-48	LZ Cowl side trim	\$55.00
	40-41	LZ Cowl side trim	\$55.00
	36-48	Cowl vent seal	\$42.75
	36-48	Cowl vent screen	Inquire
	36-48	Cowl vent Lid	\$75.00
	36-48	Cowl vent handle	\$34.50
	40	LC Firewall wire clip set	\$26.95
	41	LC Firewall wire clip set	\$37.95
	42-48	LC Firewall wire clip set	\$46.95
	36-48	Firewall main harness grommet	\$14.95
	36-48	Firewall C or T grommet	\$5.95
	36-48	Firewall speed cable grommet	\$5.95
WCLIP	36-48	Misc wire retainer clips	\$5.50
	36-48	Firewall inner panel	Inquire
	36-48	Firewall inner panel clip	\$5.25
17751	36-48	Cowl lace kit	\$25.95
	36-48	Glove box Insert	\$124.95
	42-48	Glove box light	\$35.00
	39	Glove box pull	Inquire
	36-39	Glove box bumper/pr	\$10.00
	40-41	Glove box bumper/pr	\$20.00
	42-48	Glove box bumper/pr	\$10.00
	39	Ash tray pull	Inquire
	40-41	Glove box hinge bumper	\$5.00
	38-39	Glove box door spring	\$16.95
	40-41	Dash knob escutcheon	\$12.00
PATN	36-48	Patent platew/rivets	\$27.50
RIVIT	36-48	Patent plate rivet set	\$4.95
	42-48	Glove box door	\$75.00
	42-48	Glove box trim	\$75.00
	42-48	Glove box nameplate	\$45.00
	42-48	Nameplate backing plate	\$20.00

	42-48	Glove box lock	\$45.00
	42-48	Glove box latch catch	\$15.00
	46-48	LC Radio face plate	\$145.00
	42	Radio face plate LC	\$225.00
	41	Radio face plate	\$145.00
	40-41	Speaker grille	\$85.00
	42-48	Speaker grille	\$95.00
	42-48	Speaker mesh	\$45.00
	42-48	LC Choke pull	\$50.00
	42-48	LC Throttle pull	\$50.00
	42-48	LC Headlight pull	\$45.00
	42-48	LC Ignition pull	\$45.00
	42-48	Control backing trim	\$70.00
	42-48	LC Lighter pull	\$55.00
	42-48	Lighter socket	\$20.00
	42-48	LC Ash tray pull 2 pc	\$75.00
	42-48	LC Ash tray receptacle	\$45.00

Quarter (rear)



Part#	Year	Description	Price
	40-48	LC coupe lighter socket housing	\$45.00
QTRWD	40-48	LC Coupe quarter window seal kit	\$515.95
7022916/7	40-48	Handle	\$27.00
	40-48	LC Coupe lighter socket	\$55.00
	40-48	Lighter element	\$45.00
	42-48	SS qtr cap trim for conv.	\$47.00
	40-48	LC Ashtray	\$48.00
	36-39	Quarter window swing out seals 4 dr	\$295.95
	36-39	Quarter window swing out seals 2 dr	\$275.95
	40-48	LZ quarter window swing out seals 2 dr	\$275.95
	40-48	LZ quarter window swing out seals 4 dr	\$265.95

Roof

Part#	Year	Description	Price
	40-48	LC Belt molding	\$250.00
	40-48	Belt molding clip set	\$28.95
	40-48	LC coupe door window roof seal set	\$105.00

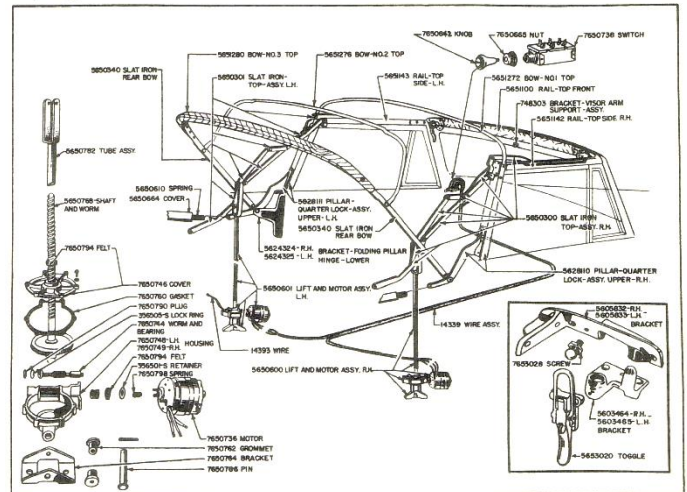
Seat

Part#	Year	Description	Price
	41-48	Seat back robe rope end	\$45.00
	41-48	Seat side support L or R	\$155.00
	40	Seat side support long	\$155.00
	40	Seat side support small	\$95.00
	41-48	Seat stop bolt w/spacer & pad SS	\$39.95
	41-48	Seat side stop casting	\$75.00
	41-48	Seat side bolt	\$35.00
	40	Seat center bolt	\$25.00
	40-48	LC front seat back frame	\$150.00
	40-48	LC Front seat lower frame	\$350.00
		Seat adjust handle	\$30.00

Top

We have many top parts and pieces available that may not be listed, so please inquire with your needs.

Top



7628298/9	40-48	Weatherstrip qtr lock pillar lower pads pr.	\$85.00
5651128	40-48	Header to windshield weatherstrip	\$24.25
5654710/1	40-48	Weatherstrip side rail fits in channel above	\$20.00
	40-41	Side weather-strip felt covering	\$28.00
	39-40	Vacuum control valve replacement	\$165.00
	46-48	Hydraulic control valve	*\$375.00
	40-48	Straps & hardware rear curtain set	\$100.00
CYLIN	46-48	Top hydraulic cylinder	\$189.00
7654816	41	LZ Rubber bumper top iron to quarter rest/pr	\$90.00

Visor

<i>Part#</i>	<i>Year</i>	<i>Description</i>	<i>Price</i>
03464/5	40-48	LC or LZ Cab Visor bkt & top aligner	\$195.00
04122	40-48	LC cpe visor bkt	\$95.00
8303	40-48	LC center visor arm support	\$56.95
04114	40-48	LC Sun visor rod w/ball short	\$46.00
04100	40-48	LC Sun visor rod long w/swivel	\$85.00
	40-48	Sun visor bkt bumpers	\$8.25
VISOR	36-48	Sun visor	Inquire

Window (back)

<i>Part#</i>	<i>Year</i>	<i>Description</i>	<i>Price</i>
	36-39	Rear window seal	\$64.50
	40-48	Rear window seal	\$58.95

Windshield

<i>Part#</i>	<i>Year</i>	<i>Description</i>	<i>Price</i>
	36-39	Windshield seal	\$172.00
	40-48	LZ Windshield seal	\$210.95
	40-48	LC Windshield seal	\$229.00
	40-48	LC Coupe inner frame	\$350.00
	40-48	LC Cabriolet aluminum frame outer	\$650.00
	40-48	LC coupe stainless frame trim	\$150.00
	40-48	Windshield inner frame screw & cup set	\$22.00

Interior plastic trim

All efforts are made for color consistency on full sets. Colors are believed accurate based on expert input and original samples for each respective year/application. Sets or individual knobs may experience color variation due to the casting and curing process as well as temperature and humidity conditions. We can attempt to color match your aged pieces as well as our dyes will allow for an additional charge. Please ask for details. Some knobs will require epoxy to affix to controls.

1937 Interior Plastic

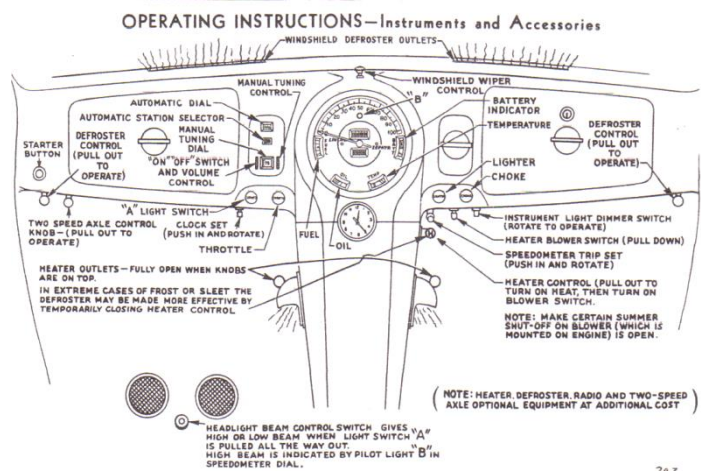
<i>Group</i>	<i>Description</i>	<i>Price Ea.</i>
Radio	On-Off Knob	\$18.50
	Tuning Knob	\$18.50
	Tone Control Knob	\$18.50
Dash	Glove Box Knob (locking)	\$55.75
	Glove Box Knob	\$34.00
	Choke Knob	\$19.95
	Throttle Knob	\$19.95
	Heater Knob	\$19.95
	Overdrive Knob	\$19.95
	Ashtray Knob	\$18.50
	Cigar Lighter Knob	\$19.95
	Defroster Knob (Manifold Heater)	\$15.95
	Wiper Knob	\$17.95
Light Switch Knob	\$23.75	
Door	Window Crank Knob	\$18.95
Rear	Cigar Lighter Knob	\$18.50
	Ashtray Knob	\$33.00
	Gear Shift Knob	\$64.00

1938 Interior Plastic

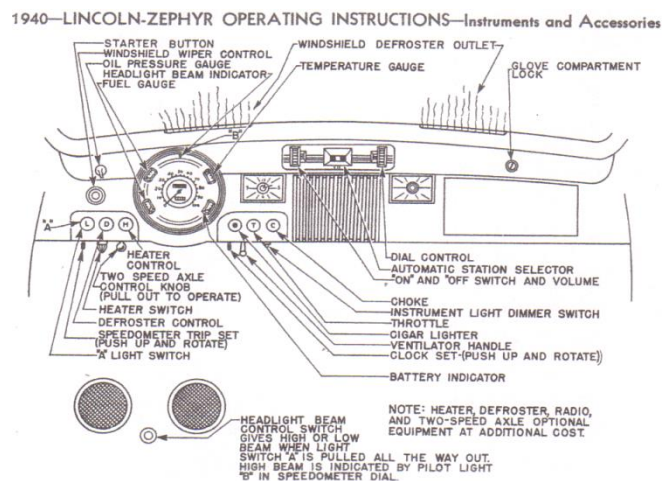
Group	Description	Price Ea.
Radio	On-off control	\$18.95
	Tuning control	\$18.95
Dash	Glove box pull	\$43.95
	Ash tray pull	\$43.95
	Starter switch button	\$11.00
	Wiper knob	\$18.50
	Overdrive knob	\$20.50
	Heater knob	\$20.50
	Rheostat knob	\$13.00
	Shift knob	\$64.00
Door	Window crank knob	\$18.95
	Window crank ring	\$23.00
Rear	Cigarette lighter knob	\$20.50
	Ash tray handle	\$43.95
	Gear Shift knob	\$64.00

Dash	Heater knob	\$19.95	
	Rheostat knob	\$13.00	
	Defroster knob	\$19.95	
	Choke knob	\$19.95	
	Throttle knob	\$19.95	
	Starter button	\$11.00	
	Cigarette lighter knob	\$19.95	
	Light switch knob	\$24.00	
	Doors	Window crank handle knob	\$18.95
		Window crank ring	\$23.00
Door latch handle ring		\$23.00	
Steering column	Shift knob	\$64.00	
Rear	Cigarette lighter knob	\$18.95	
	Ash tray handle	\$43.00	

1939 Interior Plastic



1940 Interior Plastic

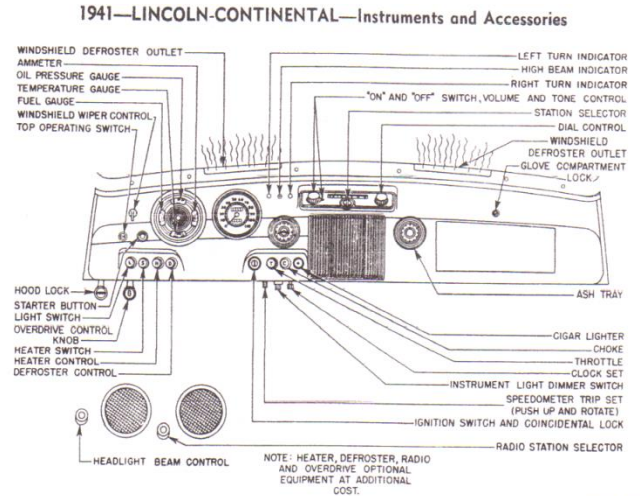


Group	Description	Price Ea.
Radio	On-off control	\$23.00
	Volume control	\$23.00
	Tuning wheel	\$24.50
	Push button	\$13.00

Group	Description	Price ea.
Radio	On/off wheel	\$23.75
	Tuner wheel	\$23.75
	Selector button	\$17.95
	Antenna base	\$86.50
Dash	Heater pull	\$20.75

	Heater fan control	\$38.95
	Rheostat	\$13.00
	Cowl vent	\$35.00
	Defroster	\$20.75
	Wiper	\$18.50
	Cigar lighter	\$20.75
	Lights	\$29.95
	Convertible top	\$29.95
	Overdrive	\$20.75
	Starter button	\$11.00
	Choke – glue to slide	\$20.75
	Throttle – glue to your slide	\$20.75
	Ash tray knob	\$20.75
	Ash tray face	\$67.00
	Blanking knob	\$20.75
	Plastic repro clock lens	\$34.00
Door	Window crank knob	\$18.95
	Window crank ring	\$23.00
	Door handle ring	\$23.00
	Door lock button (specify coupe or conv.)	\$17.95
Steering Column	Ignition pull	\$16.95
	Horn button	\$82.95
	Horn button collar	\$82.95
	Shift knob	\$36.00
Rear	Ash tray knob	\$17.00
	Cigar lighter	\$20.75
	Ashtray handle (Zephyr)	\$37.00

1941 Interior Plastic



<i>Group</i>	<i>Description</i>	<i>Price Ea.</i>
Radio	Face plate	\$145.00
	Dial plate	\$48.00
	Round knob	\$20.50
	Flat backing control (behind knob)	\$20.50
	Selector knob	\$20.50
Dash	Heater knob	\$20.75
	Defroster knob	\$20.75
	Choke knob	\$20.75
	Throttle knob	\$20.75
	Wiper knob	\$18.50
	Heater control no insert	\$22.00
	Blank knob	\$20.75
	Lights knob	\$25.95
	Top (with insert)	\$30.00
	Ash tray face plate	\$67.00
	Ash tray knob	\$20.75
	Ash tray face plate knob insert	\$13.95
	Rheostat knob	\$13.00
	Overdrive knob	\$24.95
	Hood knob	\$24.95
	Cigarette lighter knob	\$20.75
	Starter button insert	\$11.00
Door	Door lock button	\$19.00
	Door opener push button	\$27.95

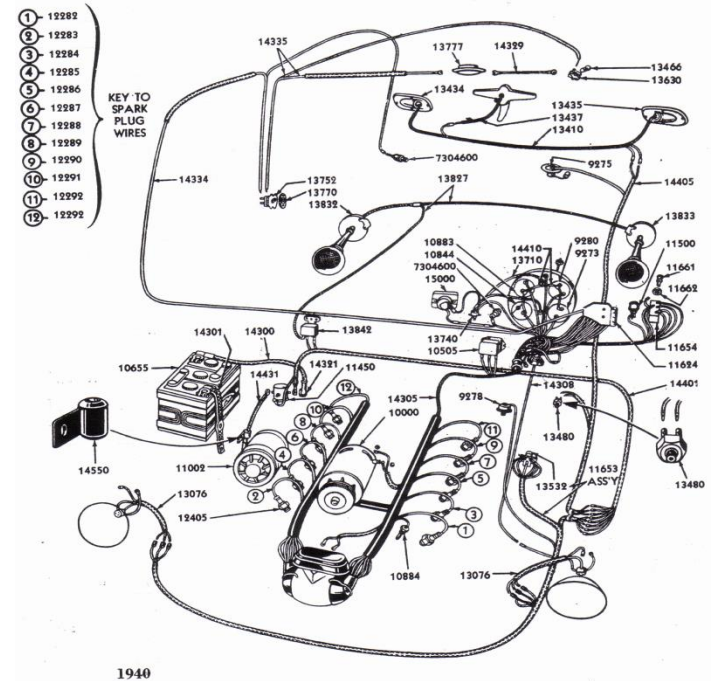
	Door opener escutcheon ring	\$26.95
	Window crank escutcheon ring (spring type add \$2.)	\$23.95
	Window crank knob	\$18.50
	Vent window crank escutcheon ring	\$23.00
	Vent window crank knob	\$18.50
Steering Column	Turn signal handle	\$46.00
	Horn button collar	\$82.95
	Horn button mount	\$82.95
	Shift knob	\$36.00
Rear	Ash try knob	\$17.00
	Cigar Lighter knob	\$20.75

	Window crank knob	\$18.50
	Vent window crank esc.	\$23.00
	Vent window crank knob	\$18.50
Steering Column	Turn signal handle	\$46.00
	Shift knob	\$36.00
Rear	Ash tray knob	\$17.00
	Ash tray handle (Lincoln)	\$37.00
	Cigar lighter	\$20.75

1942-1948 Interior Plastic

<i>Group</i>	<i>Description</i>	<i>Price ea.</i>
Radio	On/off	\$27.00
	Volume control	\$27.00
	Wonder bar	\$55.95
	Tone control	\$62.95
	Antenna base	\$27.95
	Dial control plate	\$29.00
Dash	Fresh air knob	\$19.95
	Heater switch	\$38.95
	Heater control plate	\$47.00
	Rheostat knob	\$13.00
	Defroster knob	\$19.95
	Cowl vent knob	\$36.00
	Windshield wiper knob	\$25.95
	Starter button	\$11.00
	Hood pull	\$24.95
	Overdrive	\$24.95
	Antenna control	\$19.95
	Top knob	\$25.95
Door	Door lock knob	\$19.00
	Door opener push button	\$27.95
	Door opener esc. ring	\$26.95

Wiring



<i>Part#</i>	<i>Year</i>	<i>Description</i>	<i>Price</i>
	36-48	Bullet connector 1:1 sm	\$2.15
	36-48	2:1 connector	\$4.25
	36-48	2:2 connector	\$4.25
	36-48	Bullet connector 1:1 lg	\$3.95
WCLIP	36-48	Misc wire retainer clips	\$5.00
	36-48	Fused link - metal	\$21.95

Literature

Part#	Year	Description	Price
36-48		Chassis Parts Book	\$49.95
36-48		LZOC Authenticity Manual	\$48.00
40-48		LCOC LC Authenticity Manual	\$67.00
36-48		Owners Manual repro	\$32.00
36-48		Fuel System Manual	\$23.00
36-48		Transmission Manual	\$23.00
36-48		Generator & Starter	\$23.00
38-40		Service Bulletin Manual	\$52.00
41-48		Service Bulletin Manual	\$52.00
36-48		Engine Manual	\$26.00
41-48		Service Manual	\$36.95
36-41		Columbia manual	\$18.95
36-48		Body Parts Book	Inquire
46-48		Lincoln Service Bulletins	\$29.95
41-48		Borg Warner OD Manual	\$22.00
36-41		Columbia 2spd Axle Manual	\$22.00
36-48		Wiring Diagram Free	Online

Locks & Keys

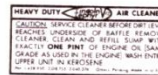
We have the original Lincoln key codes and cutting equipment. If you have the code on your lock cylinder, we can make a key for you.

Trunk keys should match the glove box and ignition keys should match the doors.

\$25 to make a key with your code. \$5 ea. additional copy.

Add \$16.95 per key if you want an original HURD blank used,

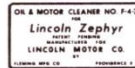
Decals



1938-1941 Oil Bath type silencer. Found on left face of cleaner.



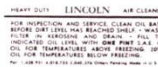
1938-1941 Standard element type silencer. Found on left face of Cleaner.



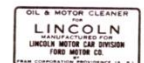
1940 Oil Filter, type F-4-Z. Found on forward face of canister.



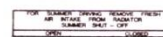
1941 Oil Filter, type F-4-I. Found on forward face of canister.



1942-1948 Oil Bath type silencer. Left side of Cleaner.



1942-1948 Oil Filter. forward side of canister.



1940-1946 Hot Air Heater Blower. Found on front top of blower housing.

1947-1948 Window Wash Bottle. Found on Front side of Bottle.



1941-1948 Glove Box instruction type.

1940 LZ gauge face decals

1940 - 1941 LC gauge face decals

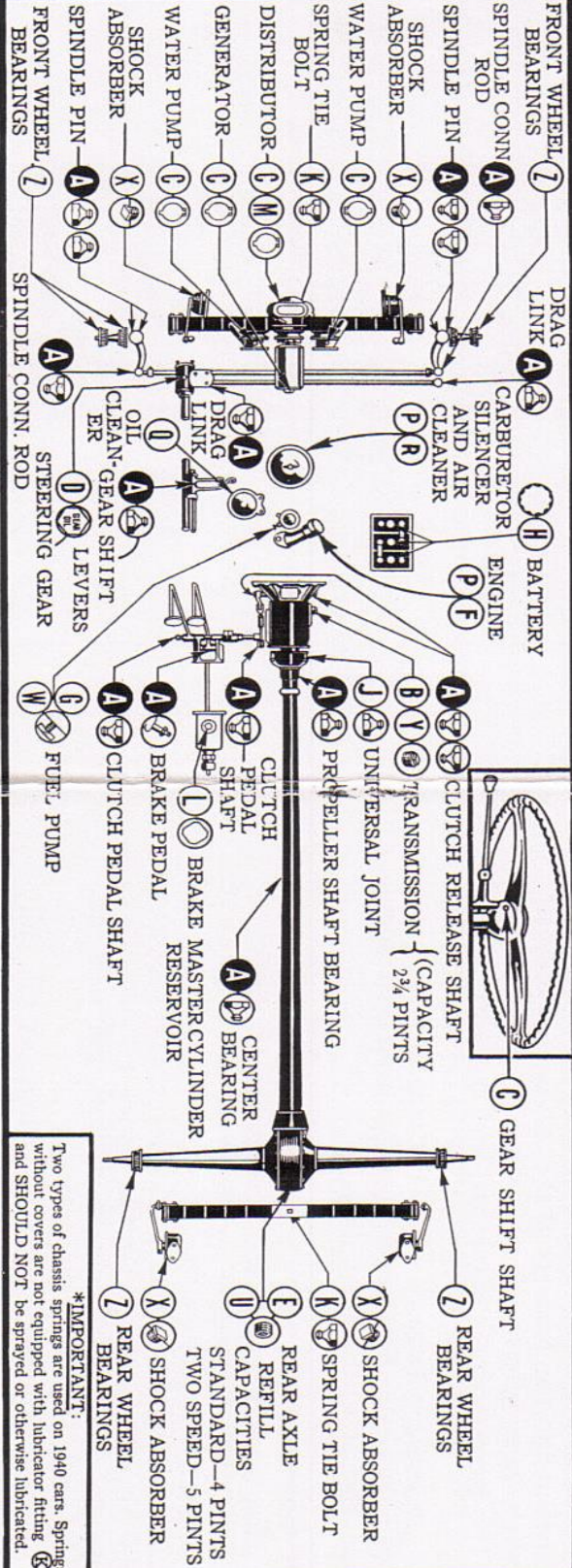
Part#	Year	Description	Price
DECAL	36-48	Decal	\$12.50

SERVICE CHART

LUBRICATION AND MAINTENANCE - 1940 CARS

EACH 1000 MILES

- A** PRESSURE GUN LUBRICANT
- B** ADD GEAR OIL to level of filter plug
- C** ENGINE OIL (Distributor shaft, generator, brake clavis pins, water pumps, accelerator and gear shift shaft)
- D** ADD MILD E. P. GEAR OIL to filter plug: S.A.E. 90 - all seasons
- E** ADD HYPOID TYPE GEAR OIL S.A.E. 90 E. P. for summer and winter, except for temperatures below -10°F use HYPOID S.A.E. 80 E. P.
- F** ENGINE OIL. Recommended Oil: Temp above 90°F, S.A.E. 40; Temp above 32°F, S.A.E. 30; Temp above 10°F, S.A.E. 20 or 20W; Temp above -10°F, 10W; Lower temperatures 10W plus 10% Kerosene.
- G** Drain SEDIMENT
- H** Add DISTILLED WATER
- I** ADD M-3833 BRAKE FLUID to fill master cylinder reservoir.
- J** UNIVERSAL JOINT LUBRICANT (Cylinder oil soda soap grease)
- K** FORD SPRING LUBRICANT M-4628 *NOTE BELOW
- L** ADD M-3833 BRAKE FLUID to fill master cylinder reservoir.
- M** FORD DISTRIBUTOR LUBRICANT M-4601 on Cam Lobes.
- N** LUBRICANT IMPREGNATED WAX on doorstriker plates and hood latches.
- O** PENETRATING DRIPLESS TYPE LUBRICANT for door hinges.
- P** WASH SCREEN IN GASOLINE - wet with engine oil when dry.

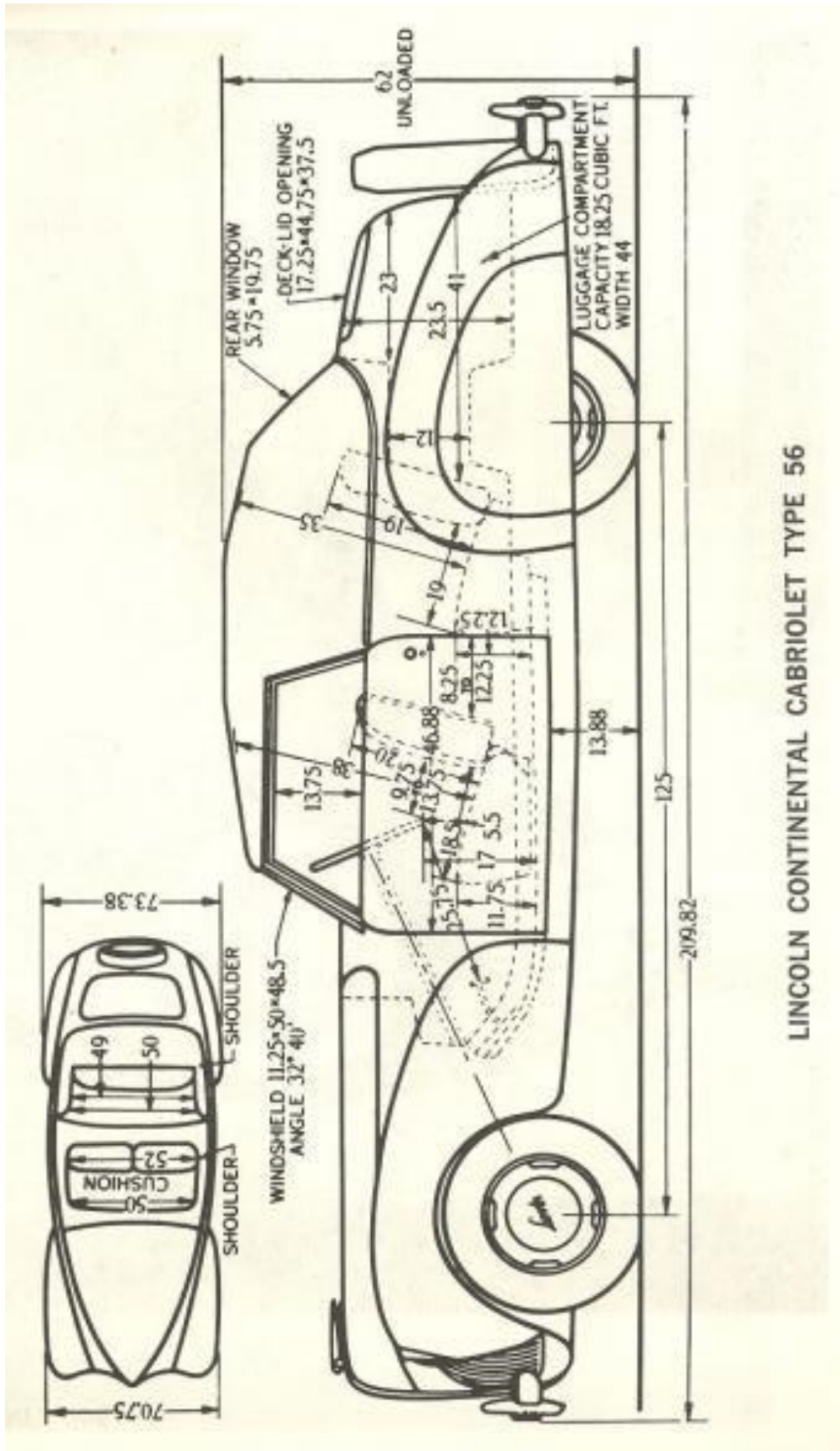


EACH FALL AND SPRING

- Q** REPLACE FILTER CARTRIDGE every 10,000 Miles.
- R** If equipped with OIL BATH AIR CLEANER clean thoroughly, replacing oil with same grade as recommended in **F**
- U** Drain, flush and refill with HYPOID TYPE GEAR OIL S.A.E. 90 E. P. for summer and winter, except for temperature below -10°F, then use HYPOID TYPE GEAR OIL S.A.E. 80 E. P.
- W** Remove and clean SCREEN
- X** ADD FORD SHOCK ABSORBER FLUID to level of filter plug.
- Y** Drain, flush and refill with GEAR OIL Winter-S.A.E. 90; (Below Zero S.A.E. 80) Summer-S.A.E. 140
- Z** Clean and repack with FORD WHEEL BEARING LUBRICANT M-544 if required.

***IMPORTANT:**
Two types of chassis springs are used on 1940 cars. Springs without covers are not equipped with lubricator fitting and SHOULD NOT be sprayed or otherwise lubricated.

Fig. 12—LUBRICATION AND MAINTENANCE CHART



LINCOLN CONTINENTAL CABRIOLET TYPE 56