

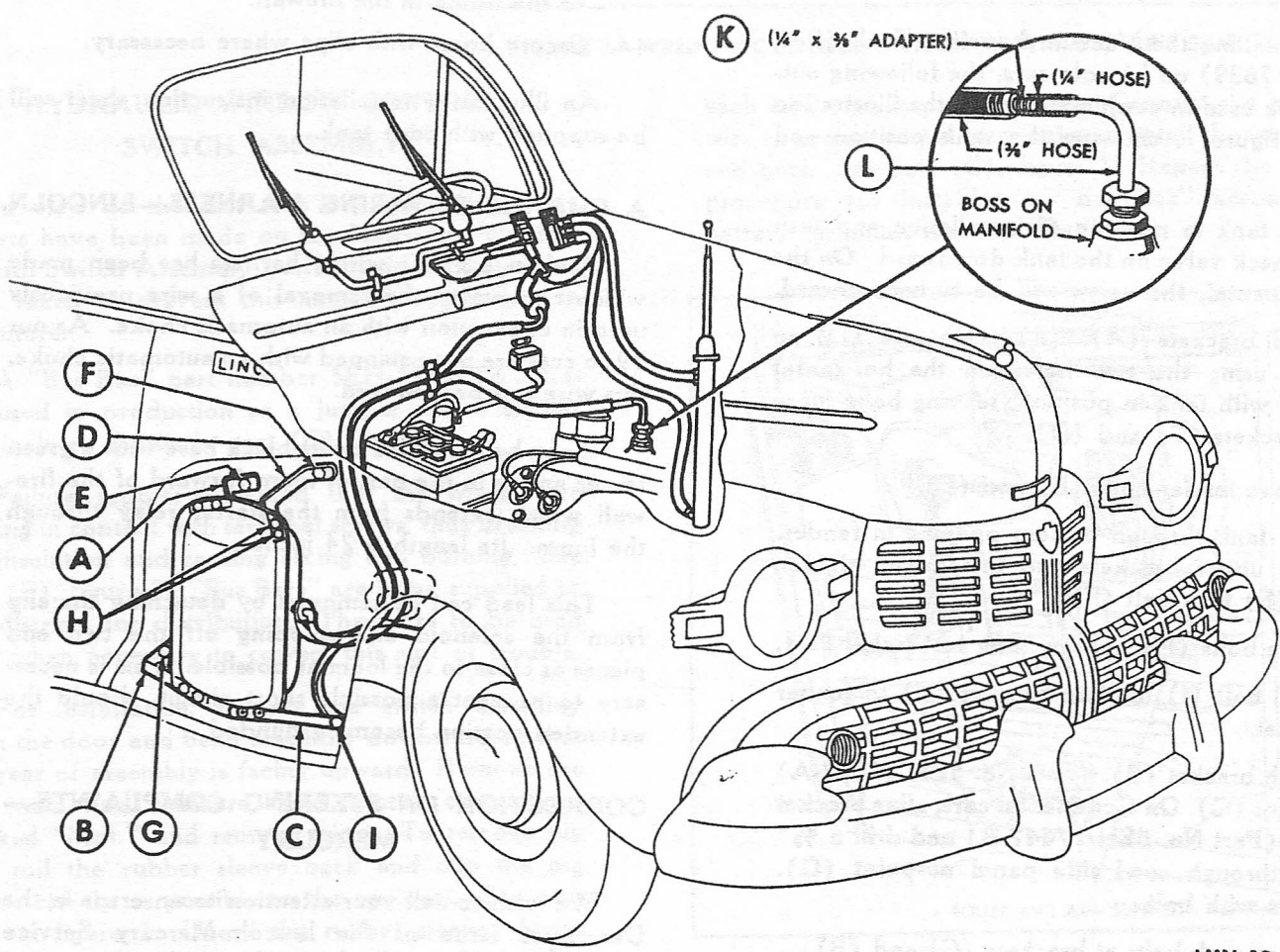


SERVICE NEWS



Vol. 1—No. 3

January, 1947



LMN-10

FIGURE 1—VACUUM LEVELING TANK INSTALLATION